

**Ovation 28** **eco** *Egg Incubator*  
*Operating Manual*

**Brinsea**  
Incubation Specialists



Authorised Representative :  
Authorised Rep Compliance Ltd.  
Ground Floor, 71 Lower Baggot  
Street, Dublin, D02 P593, Ireland



**Read the instructions before use!**



**Do not cover!**

**Damaged appliances must not be used.**

**The appliance and its supply cord must be placed in an indoor area not subject to splashes of water or wet conditions and protected from or out of reach of animals.**

**Repairs must be carried out only by a suitably qualified person.**

**This appliance must not be used, cleaned or maintained by children or persons with reduced physical, sensory or mental capabilities or lack of experience and knowledge without supervision. Children must not play with the appliance.**

**Disconnect the incubator from the mains power supply during cleaning. Ensure that all electrical parts are kept dry.**

Please read these instructions carefully before setting up your incubator to achieve best results and keep these instructions safe for future reference.

This document includes recommended procedures for successful hatching but incubation involves the control and manipulation of a large number of factors and in certain circumstances different procedures may be necessary.

For more detailed information on all aspects of egg incubation including helpful advice on getting best results please visit our website at [www.brinsea.co.uk](http://www.brinsea.co.uk).

Your incubator is designed to allow the user to vary the incubation conditions to suit a wide range of species in different ambient conditions and the specific set-up for every situation is beyond the scope of these instructions.

For more information on incubation and hatching please download our FREE Incubation Handbook: [www.brinsea.co.uk/incubationhandbook](http://www.brinsea.co.uk/incubationhandbook), for more species specific advice a range of publications can be found at: [www.brinsea.co.uk/books](http://www.brinsea.co.uk/books).

To register your new Brinsea product please visit [www.brinsea.co.uk](http://www.brinsea.co.uk) within 30 days of purchase and follow the link on the home page to qualify for your free 3 year guarantee. Sign up for the Brinsea Newsletter to receive the latest news and information.

**Record your appliance serial number here: \_\_\_\_\_**

<b>1</b>	<b>Setting Up Your Incubator</b>	-
	Unpacking	4
	Part Quantities	5
	Assembly	6
	Location & Installation	9
<b>2</b>	<b>Product Introduction – Functional Features</b>	<b>10</b>
<b>3</b>	<b>Settings – Control Menu</b>	<b>11</b>
<b>4</b>	<b>Display</b>	<b>12</b>
<b>5</b>	<b>Temperature</b>	<b>14</b>
<b>6</b>	<b>Humidity and Ventilation</b>	<b>15</b>
<b>7</b>	<b>Eggs</b>	<b>17</b>
<b>8</b>	<b>Hatching &amp; Cleaning up</b>	<b>18</b>
<b>9</b>	<b>Specifications</b>	<b>19</b>

# Ovation 28 eco

## 1 SETTING UP YOUR INCUBATOR

### UNPACKING

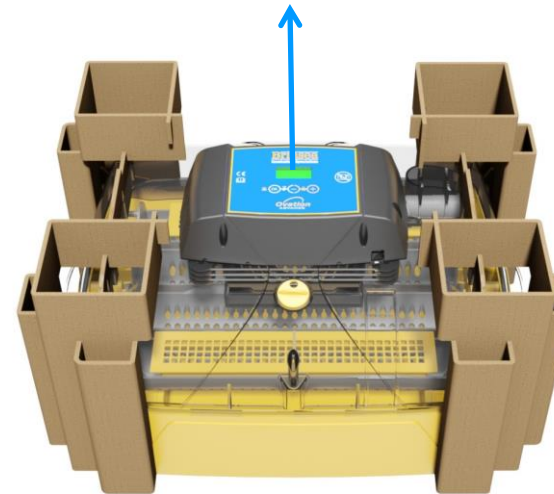
Your incubator has been supplied in protective packaging. Please remove all tape, strapping and packing from the incubator and parts. Retain the carton and packing materials to enable the unit to be repacked.

**1:** Remove the packaging and lift off the top of the incubator.

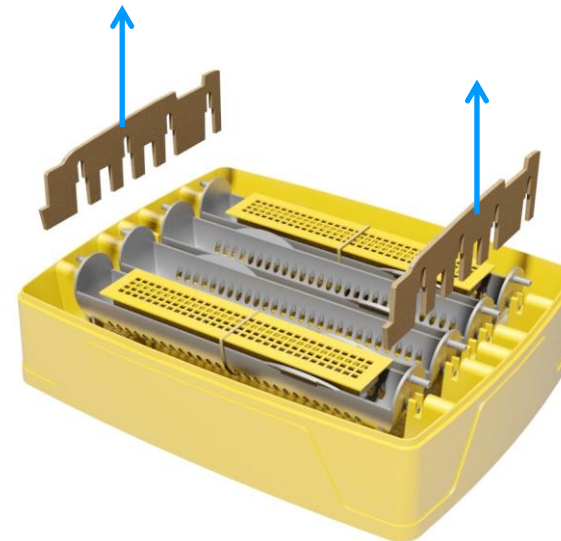
**2:** Remove the card packing inserts and elastic bands from inside the incubator.

**3:** Check that the electrical supply matches the machine's requirements (marked on the technical label inside the clear top).

1.



2.



# Ovation 28 eco

## 1 SETTING UP YOUR INCUBATOR

### PART QUANTITIES

The diagram shows all the parts that have been supplied to you. Ensure you have the correct quantities of each part. If there are any parts damaged or missing please contact your retailer or Brinsea Products (at the address at the end of the document). **Damaged appliances must not be used.**

1: Top

2: Egg Carriers (4)

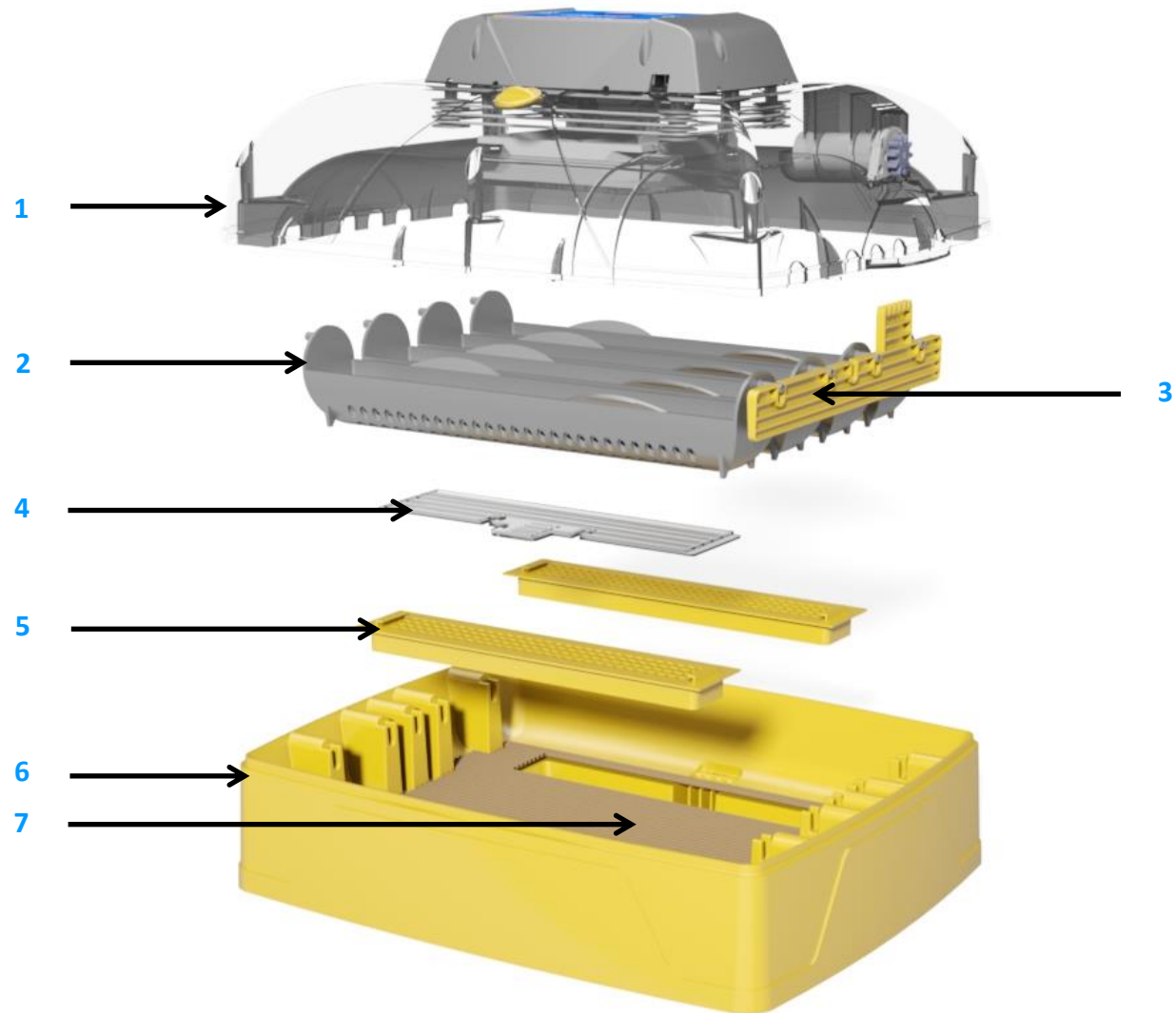
3: Link

4: Water Pan Shutter (1)

5: Water Pan Covers (2)

6: Base

7: Hatching Mat



# Ovation 28 eco

## 1 SETTING UP YOUR INCUBATOR

### ASSEMBLY

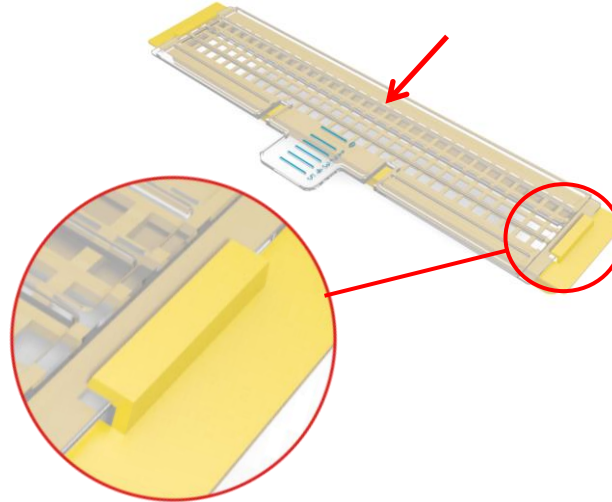
**1:** Fit the water pan shutter to the water pan cover.

**2:** Place the water pan covers into their positions in the base.

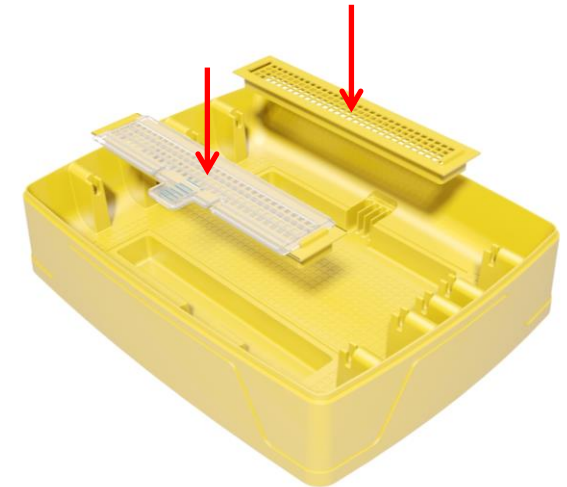
See section 6 for advice on humidity.

**3:** Fit the link into its slots ensuring the smooth side is facing inwards.

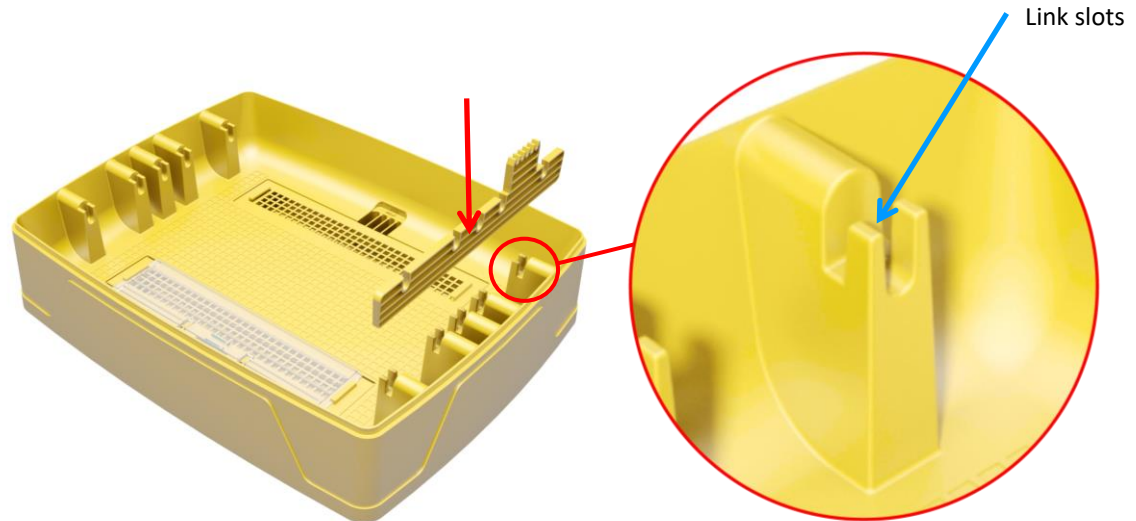
1.



2.



3.



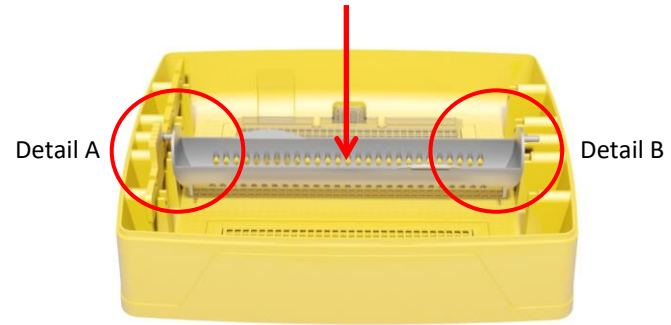
# Ovation 28 eco

## 1 SETTING UP YOUR INCUBATOR

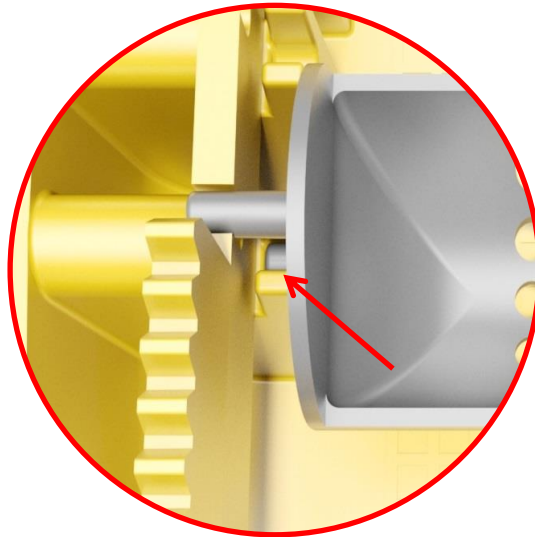
### ASSEMBLY

4: Fit the egg carriers into the supports. The pegs must fit in the sockets.

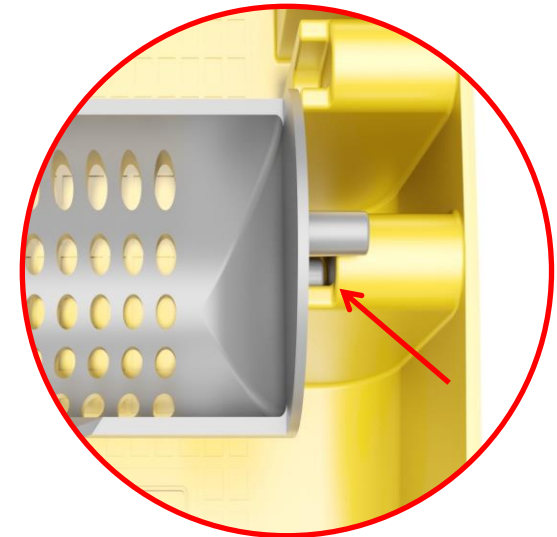
4.



Detail A



Detail B

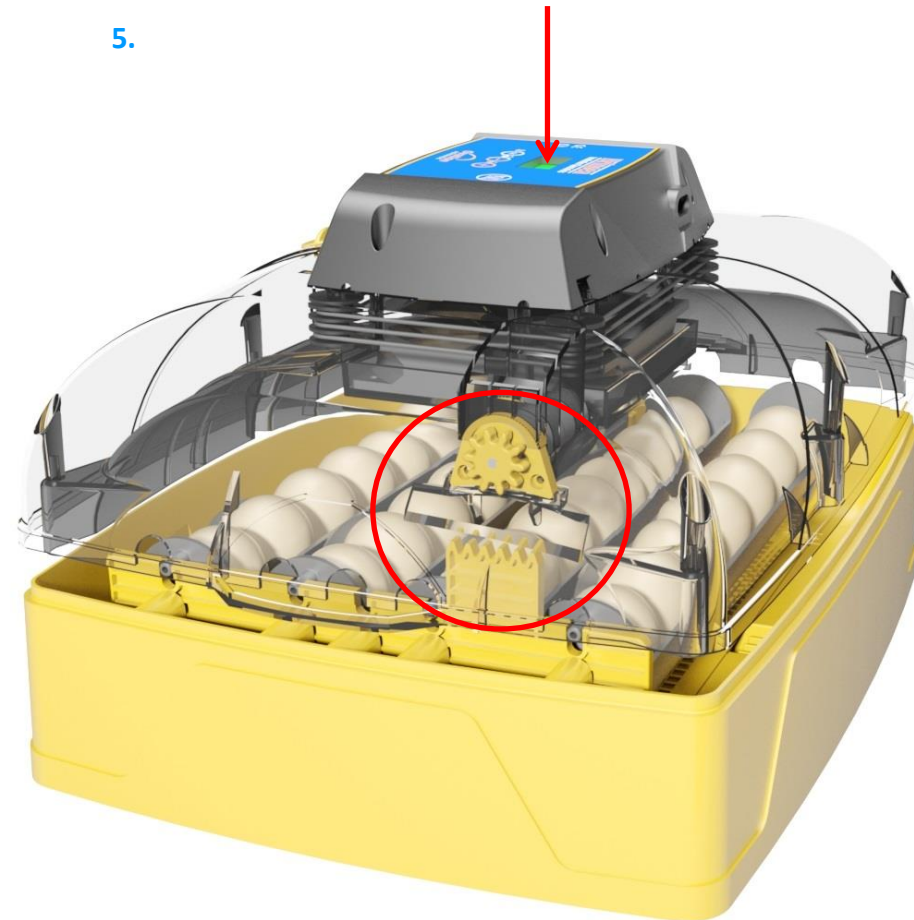


# Ovation 28 eco

## 1 SETTING UP YOUR INCUBATOR

### ASSEMBLY

**5:** Place the top onto the base in the correct orientation. The egg turning motor must sit over the link. Check the top fits flush all the way around the base edge.





# Ovation 28 eco

## 1 SETTING UP YOUR INCUBATOR

### LOCATION AND INSTALLATION

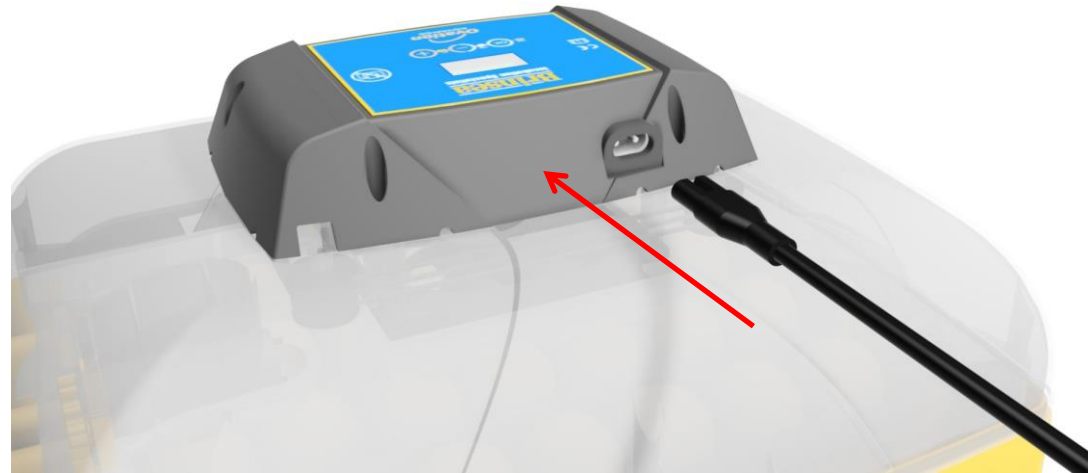
Your incubator will give best results in a heated room free from wide temperature variations and with generous ventilation – particularly if several incubators are running at the same time.

Ensure that the room temperature cannot drop on a cold night. Ideally thermostatically control the room at between 20 and 25°C (68 and 77°F). Never allow the room temperature to drop below 15°C (59°F).

Make sure that the incubator cannot be exposed to direct sunlight and is used on a flat, level surfaced worktop or table, not on the floor. Please ensure the incubator is used on a water-resistant surface.

Connect the mains cable to the incubator lid. Ensure the connector is pushed fully home in its socket.

1.



2.

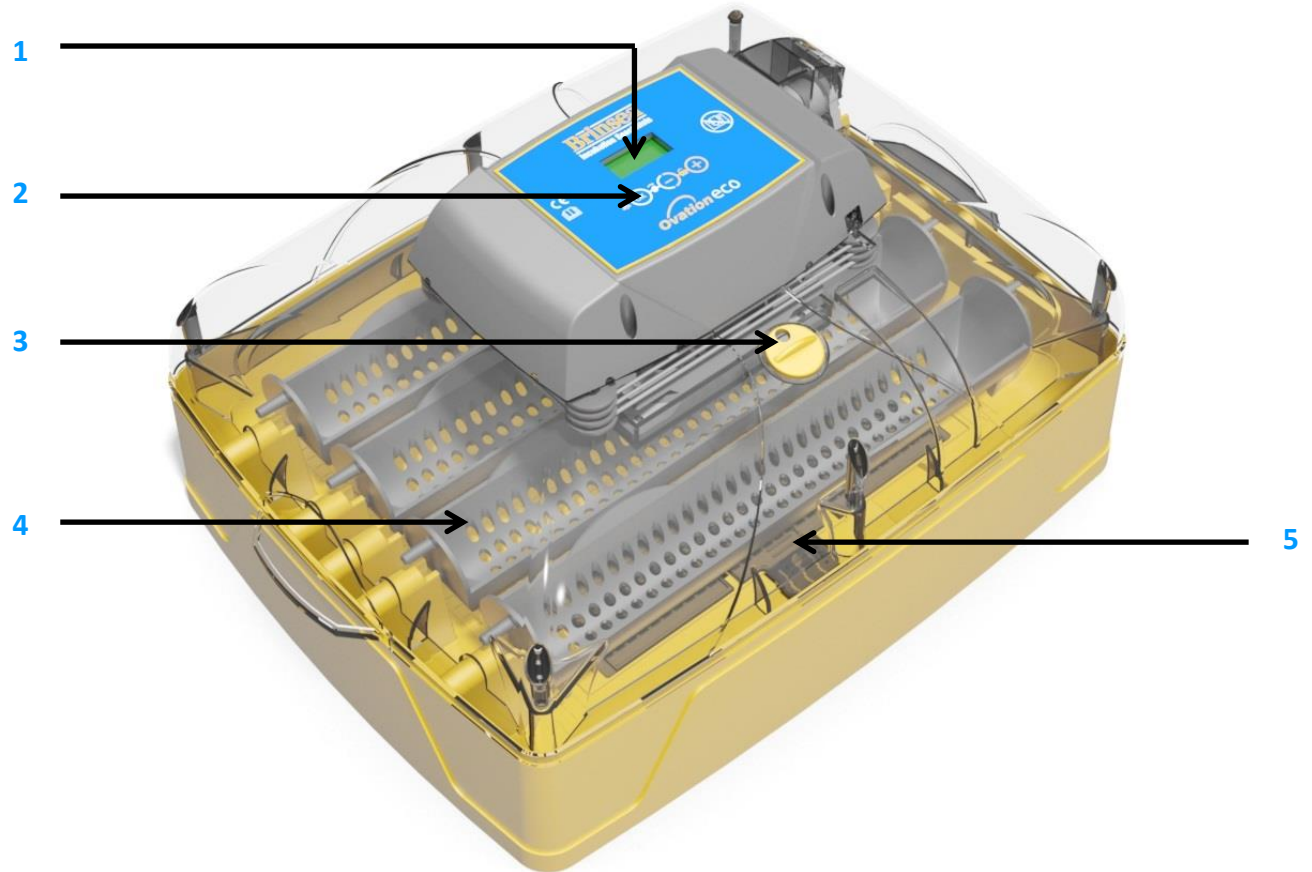


# Ovation 28 eco

## 2 PRODUCT INTRODUCTION

### FUNCTIONAL FEATURES

- 1: Digital Display
- 2: Control Buttons
- 3: Adjustable air vent
- 4: Egg Carriers (4)
- 5: Water Pan Shutter





# Ovation 28 eco


## 3 SETTINGS


### CONTROL MENU

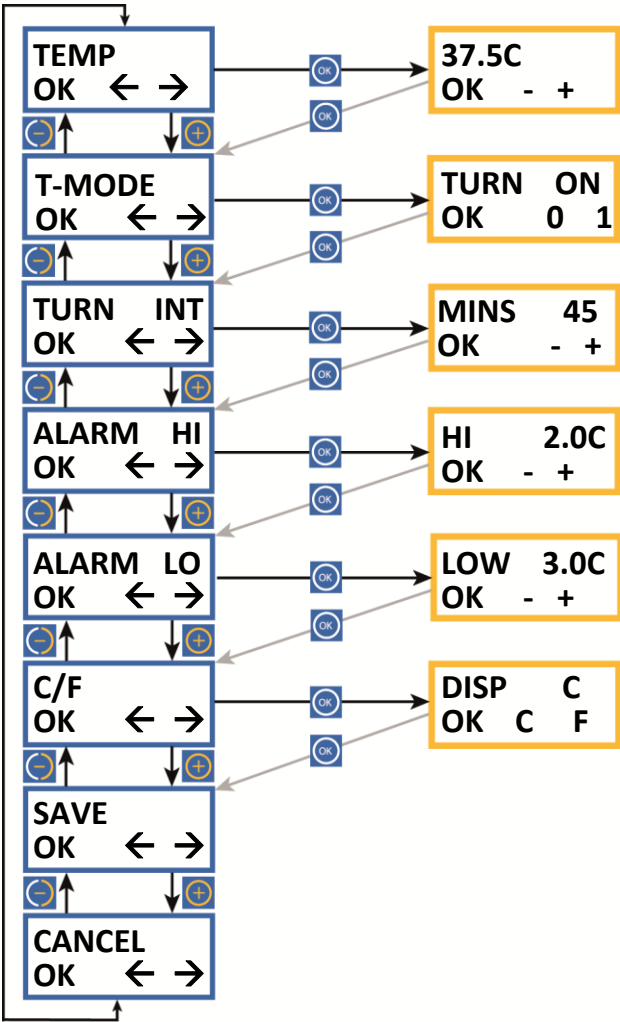
The diagram on the right illustrates how to navigate through the control menu. Look at the key below to understand what each button does when pressed.

 Press both buttons to unlock the menu.

 Select the option / return to the menu.

 Go forward one screen / increase the value / display in Celsius.

 Go back one screen / decrease the value / display in Fahrenheit.



**INCUBATION TEMPERATURE**  
Range 20.0 – 40.0°C (68.0 – 104.0°F).  
Default 37.5°C (99.5°F). See section 5.

**TURNING MODE**  
Switches the turning system on or off.  
Default ON.

**TURNING INTERVAL**  
Sets the delay between turns.  
Range 15 – 180 minutes.  
Default 45 minutes.

**HIGH TEMPERATURE ALARM**  
Range 1.0 – 5.0°C (1.8 – 9.0°F) above set incubation temperature.  
Default 2.0°C (3.6°F). See section 4.

**LOW TEMPERATURE ALARM**  
Range 1.0 – 5.0°C (1.8 – 9.0°F) below set incubation temperature.  
Default 3.0°C (5.4°F). See section 4.

**CELSIUS / FAHRENHEIT DISPLAY**  
Switches all temperature figures between °C and °F.  
Default °C. See section 5.

**SAVE**  
All changes are saved. Return to normal operation screen.

**CANCEL**  
All changes are ignored. Return to normal operation screen.

# Ovation 28 eco

## 4 DISPLAY

### DIGITAL CONTROL SYSTEM

The Ovation Eco control system utilises a highly accurate, individually calibrated sensor for temperature. Be cautious of low cost analogue or digital thermometers when comparing them with the incubator display reading.

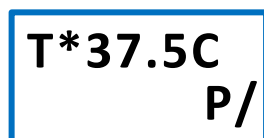
#### Example settings for poultry:

**Temperature:** 37.5°C

**Humidity:** Fill one water pan, set adjustable air vent to maximum, set the water pan shutter to position 1 (see section 6).

**Turning interval:** 45 minutes (turn off from day 19 and remove egg carriers)

(FIG 1)



#### Normal Operation – Temperature and turn system status are continuously displayed.

- The asterisk “\*” adjacent to the temperature reading shows when the heater power is on. When warming the asterisk will be continuously on, once warmed up the asterisk will slowly flash as the heater is pulsed to maintain the correct temperature. When reducing the temperature setting the asterisk may go off, this is normal.
- If turning is switched off an “O” flashes at the corner of the display.
- If turning is switched on a line “/” symbol rotates at the corner of the display.

#### Changing Settings – The Control Menu allows the various settings to be modified and saved. All settings are retained in the event of a power cut.

- To access the Control Menu press the + and – buttons simultaneously to unlock the display. For full details of menu settings please refer to the contents on page 3 and view the relevant sections.

#### Power Loss Display (FIG 1) -- If power has been interrupted due to a power cut (or when first switching on) a “P” is shown flashing in the corner of the display. Press OK for 2 or more seconds to clear the indicator. If the reason for the power loss is not known check the power cable connections are secure.

- Once the “P” indicator has been cleared, it is advisable to candle eggs a number of times to check for losses.

(FIG 2)

T\*39.8C  
H/

(FIG 3)

T\*32.1C  
L/

(FIG 4)

T\*37.5C  
-RM /

(FIG 5)

T\*37.5C  
+RM /

**High Temperature Alarm Display (FIG 2)** – If the measured temperature inside the incubator goes up by more than the figure in the ALARM HI screen, the alarm will sound immediately and “H” will be displayed. Press OK to silence the alarm for 30 minutes.

- If the high temperature problem rectifies itself the “H” remains on the display to show this has happened. Press OK to clear the indicator. Check the incubator is not (and has not been) in direct sunlight or too near a heat source such as a room heater. It is advisable to candle eggs a number of times after this event to check for losses.

**Low Temperature Alarm Display (FIG 3)** – If the measured temperature inside the incubator goes down by more than the figure in the ALARM LO screen, after 60 minutes “L” will be displayed and the alarm will sound. Press OK to silence the alarm for 30 minutes.

- If the low temperature problem rectifies itself the “L” remains on the display to show this has happened. Press OK to clear the indicator. Check the incubator is not (and has not been) in a cold draught and that the room temperature has not dropped significantly. It is advisable to candle eggs a number of times after this event to check for losses.

**Low Room Temperature Alarm (FIG 4)** – If the calculated room temperature remains too low for optimum results for more than 1 hour a warning is displayed “-RM” and an alarm will sound. Press OK to silence the alarm for 30 minutes.

- If the low temperature problem rectifies itself the “-RM” remains on the display to show this has happened. Press OK to clear the indicator.
- Check the incubator is not (and has not been) in a cold draught and that the room temperature has not dropped significantly. It is advisable to candle eggs a number of times after this event to check for losses.

**High Room Temperature Alarm (FIG 5)** – If the calculated room temperature remains too high for optimum results for more than 1 hour a warning is displayed “+RM” and an alarm will sound. Press OK to silence the alarm for 30 minutes.

- If the high temperature problem rectifies itself the “+RM” remains on the display to show this has happened. Press OK to clear the indicator.
- Check the incubator is not (and has not been) in direct sunlight or too near a heat source such as a room heater. The eggs themselves create significant metabolic heating at later stages of incubation and may contribute to this if room temperature is high. It is advisable to candle eggs a number of times after this event to check for losses.

# Ovation 28 eco

## 5 TEMPERATURE

### SETTING THE TEMPERATURE



1. Press the - and + buttons simultaneously to unlock the Main Menu.



2. Press OK to select the temperature screen and adjust as necessary using the + and – buttons.



3. Press OK to return to the Main Menu and then scroll down to SAVE. Press OK to save the changes.

When reducing temperature the asterisk may go out while the incubator cools – this is normal. Adjust temperature with care – small differences have large effects on hatching performance.

### CHANGING TO FAHRENHEIT



1. Press the - and + buttons simultaneously to unlock the Main Menu.



2. Scroll to the C/F option and press OK to select the C/F display screen.



3. Press the + button to select °F or the – button to select °C.



4. Press OK to return to the Main Menu and then scroll down to save. Press OK to save the changes.

**Please Note:** Your incubator will be factory set for hen eggs, you may wish to adjust the temperature in the menu to suit the types of eggs you are incubating.

As the incubator warms up and approaches its control setting the ‘heater on’ asterisk “\*” will change from continuously on to flashing. Allow the incubator to stabilise for at least an hour before adjusting the temperature.

	Recommended temperatures:		Typical incubation period:
Hens	37.4 – 37.6°C	99.3 – 99.6°F	21 days
Pheasant	37.6 – 37.8°C	99.6 – 100.0°F	23-27 days
Quail	37.6 – 37.8°C	99.6 – 100.0°F	16-23 days
Ducks	37.4 – 37.6°C	99.3 – 99.6°F	28 days
<b>Parrots:</b>			
Amazons	36.8 – 37.0°C	98.3 – 98.6°F	24-29 days
Macaws	36.8 – 37.0°C	98.3 – 98.6°F	26-28 days
Love birds	36.8 – 37.0°C	98.3 – 98.6°F	22-24 days
African Grey	36.8 – 37.0°C	98.3 – 98.6°F	28 days
Eclectus	36.8 – 37.0°C	98.3 – 98.6°F	28 days

- Developing embryos are fairly tolerant of short term temperature drops and the user need not be concerned about cooling that occurs when inspecting eggs. Temperatures above ideal can quickly have a serious detrimental effect on hatch rates and must be avoided.
- The Ovation Eco has a built-in temperature alarm which warns of high or low temperatures. See section 4 for details.

## UNDERSTANDING HUMIDITY

Short term variations in humidity are not important. The average humidity over the incubation period needs to be near optimum to achieve the ideal weight loss.

High humidity for the day or two of hatching is also important. Beware chronic, excessive humidity.

### Typical Humidity:

Generally accepted incubation RH levels for species groups:

<b>During incubation: Poultry</b>	<b>50-60% RH</b>
<b>Waterfowl</b>	<b>55-65% RH</b>
<b>Parrots</b>	<b>40-50% RH</b>
<b>Hatching: All species</b>	<b>60-65% RH</b>

### Typical Weight Loss:

Typical ideal weight losses for species groups:

<b>Poultry</b>	<b>13%</b>
<b>Waterfowl</b>	<b>14%</b>
<b>Parrots</b>	<b>16%</b>

For more specific information on particular species' requirements check the relevant literature.

## CONTROLLING HUMIDITY

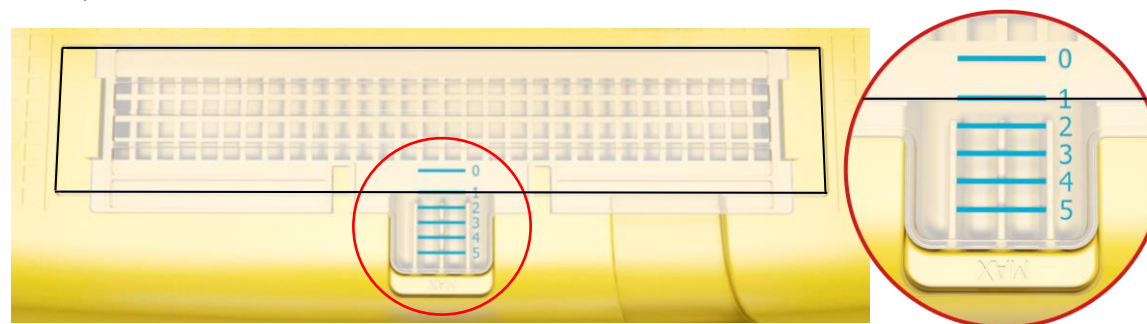
Two factors affect incubation humidity: water evaporation within the cabinet (from eggs as well as from additional water) and levels of ventilation. The water content of the air being drawn through the incubator will also have an effect.

There are two methods available to bird breeders to achieve correct humidity levels:

**1:** As a general guide for poultry/game/waterfowl, maintain water in one of the two water pans with the adjustable air vent set to maximum and the water pan shutter set to '1' from the time eggs are set until 2 days before hatching is due - the depth of water doesn't matter. If the incubator is full of parrot (and parrot like species) eggs the incubator may be run without water for some of the early incubation period.

For the last two days of incubation: For all species fill both pans, remove the water pan shutter and set the adjustable air vent to minimum. Higher humidity levels are needed for hatching to prevent membranes drying too quickly. Ensure the water pan covers are fitted to prevent chicks drowning.

The above guidelines make no provision for different ambient conditions and are necessarily rather generalised but they are simple and often effective.



**2:** Monitor egg weight loss (which varies as a direct result of humidity) and correct them against published weight loss figures for the species. This is the most reliable method and is recommended – particularly where poor hatch rates are experienced or if eggs of high value are being incubated.

Eggs lose moisture through their shells and the rate of evaporation depends on the humidity levels around the eggs and the shell porosity. During incubation eggs need to lose a fixed amount of water which corresponds to a loss in weight of around 13-16% depending on species. By weighing eggs periodically during incubation, it is possible to monitor and, if necessary, correct humidity levels to achieve the correct weight loss.

For more detailed information on all aspects of egg incubation including helpful advice on getting best results please visit our website at [www.brinsea.co.uk/incubationhandbook](http://www.brinsea.co.uk/incubationhandbook).

# Ovation 28 eco

## 6 HUMIDITY AND VENTILATION

### ADJUSTING THE RELATIVE HUMIDITY LEVEL

**1:** To maintain a low humidity level do not add water to either of the pans.

To increase humidity, first add water to the water pan with the sliding shutter and set the sliding water pan shutter to achieve the desired humidity level (0 = lowest to 5 = highest).

To further increase the humidity, add water to the second water pan and remove the sliding water pan shutter from the first water pan as necessary.

**2:** To fill the water pans, take the lid off. Open the sliding water pan shutter if fitted. Carefully pour water into the fill points ensuring you do not fill beyond the “MAX” (as shown in diagram 2).

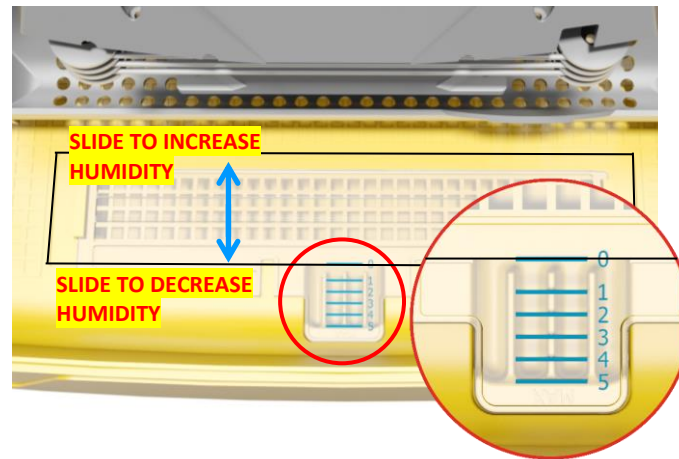
Humidity levels may be further increased by placing strips of evaporating card or cloth into one or more of the water channels. Evaporating card is available from Brinsea Products.

### HATCHING

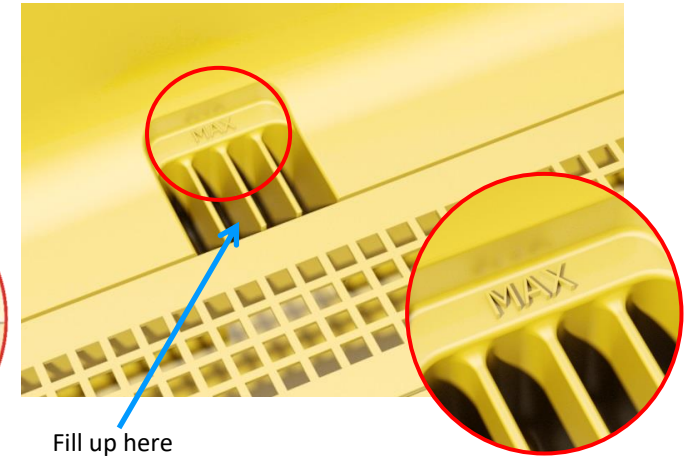
In all cases the humidity for hatching needs to be high. Because of the short duration involved water/weight loss will not be significantly affected. High humidity is necessary to prevent membranes drying and hardening before the hatch fully emerges. Humidity will naturally increase as the first eggs begin to hatch and internal membranes begin to dry. This effect is in addition to the increased area of water evaporation from the water channels.

During hatching the high humidity levels will fall dramatically when the lid is opened and will take some time to build up. Resist the temptation to lift the lid frequently – leave for at least 6 hours between inspections.

1.



2.



In practice the minimum and maximum levels of humidity achievable in an incubator depend upon several factors including the ambient conditions in the incubation room. You may need to allow 24 hours for humidity to fully stabilise after making changes.

**If you cannot achieve the relative humidity level required consider these notes:**

#### Humidity will not go low enough

- Open the adjustable air vent fully to help.
- Slide the water pan shutter to the lowest setting (0).
- Remove all water.
- A lower limit will be determined by the moisture content of the ambient air, particularly in warm humid conditions. This can only be countered by dehumidification of the room air outside the incubator with a proprietary dehumidifier but is rarely a problem in practice.



Close the vent to increase humidity or open the vent to decrease humidity.

#### Humidity will not go high enough

- Close the adjustable air vent to its minimum setting to help. Remove the water pan shutter. Fit evaporating card strips available from Brinsea or your stockist.

#### Condensation

It is normal for some condensation to occur on the cooler exposed parts of the clear top. This natural phenomenon is not a hazard or a problem for incubation but may indicate the room is cooler than optimum.



# Ovation 28 eco

## 7 EGGS

### SETTING THE TURNING OPTIONS



1. Press the - and + buttons simultaneously to unlock the Main Menu.



2. Press + to scroll to the TURN 0/1 option.



3. Press OK to select the turning mode screen and use the + and - buttons to set to ON or OFF as required.



4. Press OK to return to the Main Menu. The TURN INT option will now be displayed. Press OK to select the turn interval screen and use the + and - buttons to set the delay between turns in minutes as required.



5. Press OK to return to the Main Menu and then scroll down to SAVE. Press OK to save the changes.

### STORING, SETTING AND TURNING EGGS

Ensure that you store eggs in cool, damp conditions. Most species may be safely stored for up to 14 days before serious reductions in hatch rates are likely. Daily turning of stored eggs also helps maintain hatchability.

Cracked, mis-shaped and heavily soiled eggs should be discarded (if possible). It is not recommended that eggs for incubation are washed as this will remove the outer cuticle from the egg as well as the dirt and may leave the egg at greater risk from bacterial contamination. However soiled eggs can add contaminants that are damaging to growing embryos in the egg, so if cleaning is the only option a specialist egg wash solution should be used following the manufacturer's instructions.

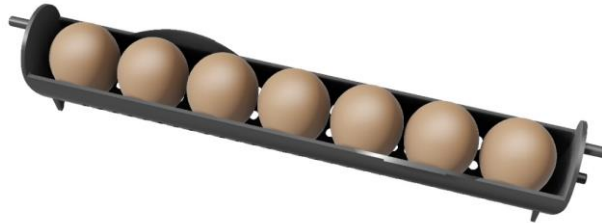
The Ovation 28 Eco is designed to accommodate eggs of different sizes from pheasant to duck eggs or larger/ smaller eggs using the alternative egg carrier.

Before setting eggs ensure that the incubator has been running for several hours and has stabilised at the correct temperature.

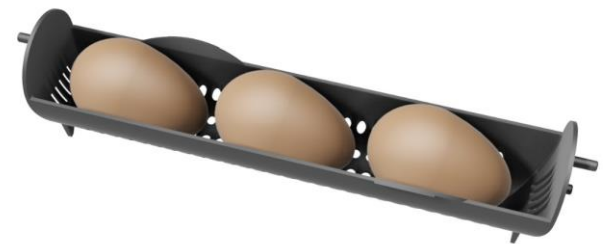
Set the eggs in the egg carriers provided. The eggs need to be set lying flat or with their pointed ends facing down. Switch the turning system on. A revolving line symbol “/” should be shown in the corner of the display.

Check the water level every 2 days or so and temperature daily. Candle the eggs after 1/3rd of the incubation period has elapsed to reject clear, infertile eggs. Remember to stop the turning 2 days before the eggs are due to hatch.

#### Pointed ends of eggs facing down



#### Eggs lying flat



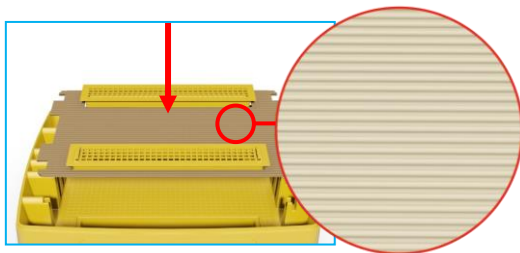
# Ovation 28 eco

## 8 HATCHING & CLEANING UP

### HATCHING

**1:** If hatching in the Ovation 28: Two days before the hatch is due, remove the top, egg carriers and their link. Remove the water pan shutter and water pan covers.

**2:** Insert the hatching mat, ribbed side up. Re-fit the water pan covers (without the water pan shutter) over the hatching mat. Lay the eggs directly onto the mat. Don't re-use hatching mats. Replacements are available from [brinsea.co.uk](http://brinsea.co.uk), [brinsea.com](http://brinsea.com) or your local stockist (product code AF014).



**3:** Put the top back on.

**4:** Turning must be switched to OFF in the control menu. Hatching humidity levels need to be high (see section 6 above).

When most eggs have hatched (12 to 48 hours after the first egg hatches) remove the hatchlings to a brooder. The Brinsea EcoGlow 600 and 1200 are ideal for poultry and waterfowl etc. The Brinsea TLC-40 and TLC-50 Brooders are recommended for exotics.

During hatching the high humidity levels will fall dramatically when the lid is lifted and will take some time to build up. Resist the temptation to open the incubator frequently – leave for at least 6 hours between inspections.

### CLEANING UP

IMPORTANT:

**DISCONNECT THE INCUBATOR FROM THE MAINS POWER SUPPLY DURING CLEANING.**

**ENSURE THAT ALL ELECTRICAL PARTS ARE KEPT DRY. DO NOT IMMERSE THE INCUBATOR TOP.**

NEVER WASH THE BASE, EGG CARRIERS, COVERS OR CABINET PARTS IN LIQUIDS OVER 50°C (120°F). DO NOT USE A DISHWASHER TO CLEAN ANY PARTS OF THE INCUBATOR.

Following each hatch in the Ovation 28 Eco remove and wash the egg carriers, link and base in a solution of water-based disinfectant (diluted in accordance with the manufacturer's recommendations) and then rinse thoroughly. Use a vacuum cleaner and soft brush to remove dust from the fan guard. Wipe all other internal surfaces with a cloth made damp with the solution and then wipe off with a cloth made damp with clean water. Ensure that the instructions supplied with the fluid are followed.

If a separate hatcher is used the procedure above should still be followed every two months.

The exterior of the incubator may be cleaned with a damp cloth. Avoid allowing any moisture to get inside electrical housings.

**If after extended use more thorough cleaning within the top of the appliance is required, please visit [www.brinsea.co.uk/latest/resource-centre/downloads](http://www.brinsea.co.uk/latest/resource-centre/downloads) for information on how this may be safely performed.**

ALWAYS CLEAN THE INCUBATOR BEFORE STORAGE AND ENSURE THAT THE UNIT IS TOTALLY DRY INSIDE AND OUT. ALLOW IT TO RUN FOR 24 HOURS WITH NO WATER IN TO ENSURE IT IS THOROUGHLY DRY.

### TROUBLE-SHOOTING AND CALIBRATION

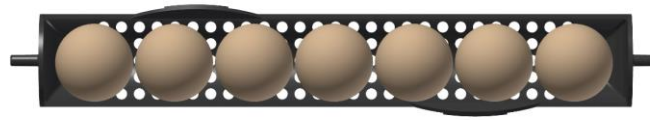
In case of failure first check that the mains power supply is working and that the mains cable connector is fully engaged in the socket on the control enclosure.

The digital temperature and humidity display is individually calibrated during manufacture but may be re-calibrated if required. In the unlikely event that your hatching success makes you doubt the temperature or humidity calibration of your machine please contact your distributor or Brinsea directly at [sales@brinsea.co.uk](mailto:sales@brinsea.co.uk) for further information and advice.

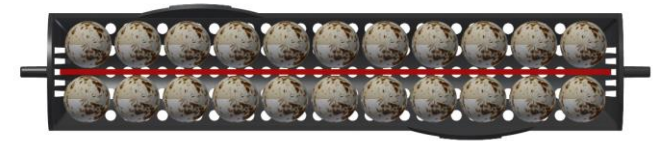
**Ovation 28 eco**  
9 SPECIFICATIONS

**OVATION 28 MAXIMUM SETTING CAPACITIES:**

Egg size	Typical capacity
Quail	66
Pheasant	57
Hen	28
Duck	28
Goose	9
Dimensions:	447mm x 332mm x 223mm
Weight:	3.128 Kg
Power Consumption:	
Incubator maximum (typical average)	60 Watts 30 Watts
Electrical Supply:	230v 50Hz or 115V 60Hz (as ordered)



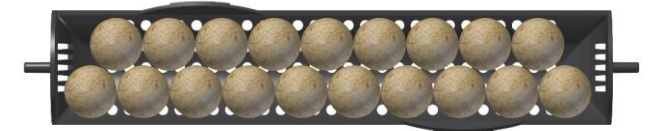
**7 hen eggs in hen egg carrier**



**22 quail eggs in optional large egg carrier**



**7 duck eggs in hen egg carrier**



**19 pheasant eggs in optional large egg carrier**

The large egg carriers are available from [brinsea.co.uk](http://brinsea.co.uk), [brinsea.com](http://brinsea.com) or your local stockist (product code AF011).



Used electrical and electronic products should not be mixed with general household waste. For proper treatment, recovery and recycling, please take this product to a designated collection point where it will be accepted free of charge.

Please contact your local authority for further details of your nearest designated collection point.

Disposing of this product correctly will help save valuable resources and prevent any potential negative effects on human health and the environment, which could otherwise arise from inappropriate waste handling.

Brinsea Products Ltd, 32-33 Buckingham Road, Weston Industrial Estate,  
Weston-super-Mare, N. Somerset, BS24 9BG  
Tel: +44 (0) 345 226 0120  
e-mail: [support@brinsea.co.uk](mailto:support@brinsea.co.uk), website: [www.brinsea.co.uk](http://www.brinsea.co.uk)

## Declaration of Conformity

**We:** BRINSEA PRODUCTS LTD.  
32-33 Buckingham Road  
Weston Industrial Estate  
Weston-super-Mare  
North Somerset  
BS24 9BG

Declare under our sole responsibility the products:

### **Egg Incubators:**

Ovation 28 Eco (Serial numbers AF35x/xxxxxxxx, AF35/xxxxxxxx)  
Ovation 28 Advance (Serial numbers AF36x/xxxxxxxx, AF36/xxxxxxxx)  
Ovation 28 EX (Serial numbers AF37x/xxxxxxxx, AF37/xxxxxxxx)  
Ovation 28 Zoologica (Serial numbers AF38x/xxxxxxxx, AF38/xxxxxxxx)

to which this declaration relates are in conformity with the following UK regulations:

### **Supply of Machinery (Safety) Regulations 2008**

### **Electromagnetic Compatibility Regulations 2016**

### **The Restriction of the Use of Certain Hazardous Substances in Electrical and Electronic Equipment Regulations 2012**

The relevant sections of the following Standards have been used:

**BS EN 60335-1:2012+A15:2021**  
**BS EN 60335-2-71:2003+A1:2007**  
**BS EN 55014-1:2017+A11:2020**  
**BS EN 55014-2:1997+A2:2008**  
**BS EN 50581:2012**

The technical documentation for the products is available from the above address.

**Authorised Representative:** Ian Pearce, Managing Director

**Signature:**

**Date of Issue:** 04 October 2023

**Place of Issue:** 32-33 Buckingham Road, Weston Industrial Estate,  
Weston-super-Mare, North Somerset, BS24 9BG, United Kingdom.

## EU Declaration of Conformity

In accordance with European Parliament and Council  
Decision No 768/2008/EC Annex III

### 1. Product model / product:

Product:	Egg incubators
Model:	Ovation 28 Eco (Serial Numbers AF35x/xxxxxxxx, AF35/xxxxxxxx) Ovation 28 Advance (Serial Numbers AF36x/xxxxxxxx, AF36/xxxxxxxx) Ovation 28 EX (Serial Numbers AF37x/xxxxxxxx, AF37/xxxxxxxx) Ovation 28 Zoologica (Serial Numbers AF38x/xxxxxxxx, AF38/xxxxxxxx)

### 2. Manufacturer:

Name:	Brinsea Products Ltd.
Address:	32-33 Buckingham Road, Weston Industrial Estate, Weston-super-Mare, BS24 9BG, England

### Authorised Representative:

Name:	Authorised Rep Compliance Ltd.
Address:	Ground Floor, 71 Lower Baggot Street, Dublin, D02 P593, Ireland

### 3. This declaration is issued under the sole responsibility of the manufacturer.

### 4. Object of the declaration:

Product:	Ovation 28 Eco, Ovation 28 Advance, Ovation 28 EX and Ovation 28 Zoologica egg incubators
Specification:	220-240V, 50Hz, 60W, capacity 28 eggs

### 5. The object of the declaration described above is in conformity with the relevant EU harmonisation legislation:

2006/42/EC	Machinery Directive
2014/30/EU	Electromagnetic Compatibility (EMC)
2011/65/EU	Restriction on the use of certain hazardous substances (RoHS)

### 6. References to the relevant harmonised standards used or references to the other technical specifications in relation to which conformity is declared:

EN 60335-1:2012+A15:2021
EN 60335-2-71:2003+A1:2007
EN 55014-1:2017+A11:2020
EN 55014-2:1997+A2:2008
EN IEC 63000:2018

### 7. The technical documentation for the product is available from the authorised representative at the address above.

Signed for and on behalf of:	Brinsea Products Ltd.
Place of issue:	Weston-super-Mare
Date of issue:	18 March 2024
Name:	Ian Pearce
Function:	Managing Director
Signature:	