

Brinsea

Octagon 20 Advance and Octagon 40 Advance high performance egg incubators

User instructions

Contents

<u>Section</u>	<u>Subject</u>	<u>Page</u>
1	Introduction	2
2	QUICK REFERENCE	2
3	Unpacking	4
4	Location and Installation	4
5	Digital Control System	5
6	Storage of eggs	7
7	Temperature	7
8	Humidity and Ventilation	8
9	Egg setting	10
10	Egg turning	10
11	Periodic Incubation Cooling	11
12	Hatching	11
13	Cleaning up	12
14	Servicing and Calibration	12
15	Troubleshooting	14
16	Specifications	15

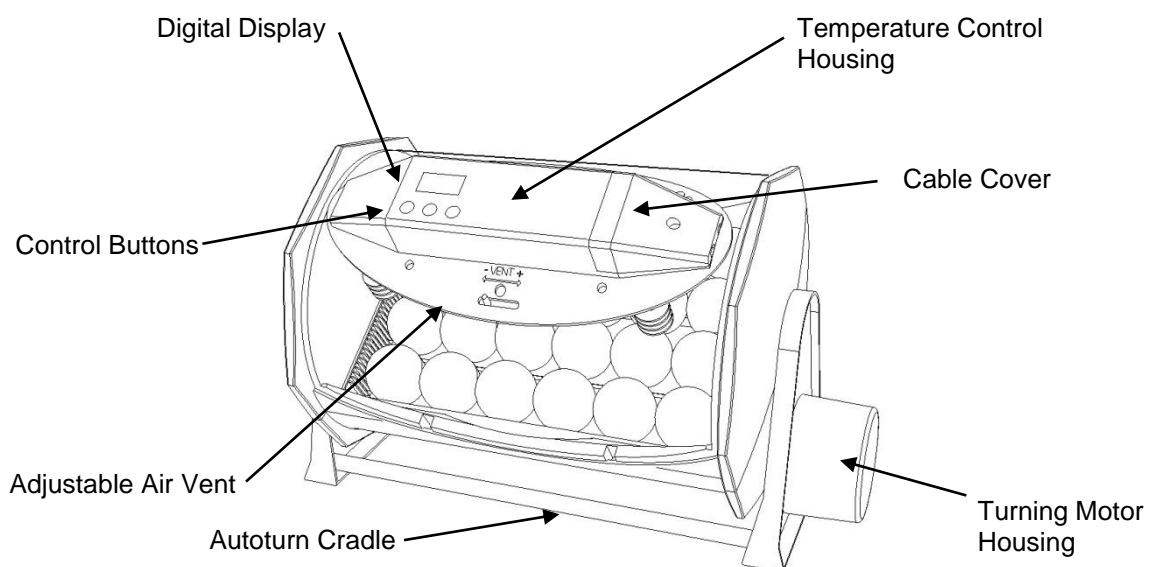
1 Introduction

These instructions detail the operation of your new Octagon 20 Advance or Octagon 40 Advance digital incubator and optional Autoturn Cradle. Please read these instructions carefully before setting up your machine to achieve best results and keep these instructions safe for future reference. This document includes recommended procedures for successful hatching but incubation involves the control and manipulation of a large number of factors and in certain circumstances different procedures may be necessary. Your incubator is designed to allow the user to vary the incubation conditions to suit a wide range of species in different ambient conditions and the specific set-up for every situation is beyond the scope of these instructions.

There is a range of books available covering incubation techniques, for more information or to request a book list please don't hesitate to contact us.

The Octagon 20 Advance and Octagon 40 Advance incubators are available with the option of the Advance Humidity Pump for automatic humidity control. Operating instructions for this module are supplied separately.

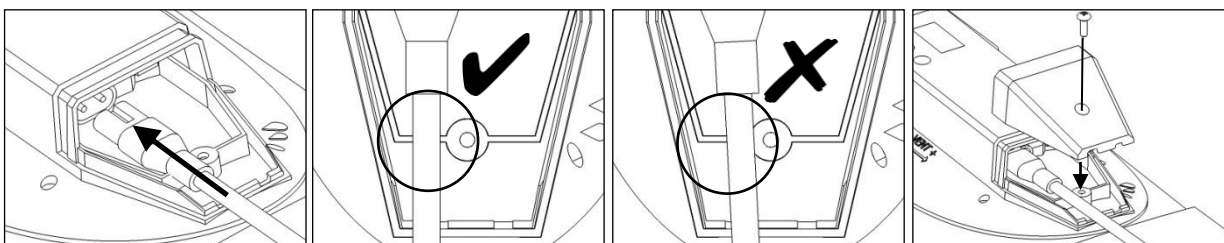
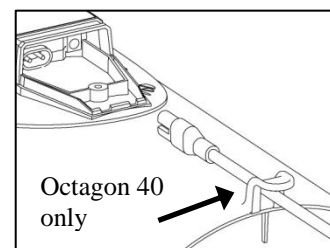
Fig. 1 Functional features of the Octagon 20 Advance (Octagon 40 Advance functionally similar)



2 Quick Reference (please read relevant section for detail)

This quick reference is intended to allow users familiar with the Octagon 20 and 40 to quickly set up the incubator and learn the key features of the control system. Please read the rest of the instructions to obtain a full understanding of each feature. **DO NOT COVER THE INCUBATOR. FOR INDOOR USE ONLY.**

- 1) Carefully unpack the incubator (section 3)
- 2) Assemble the cradle (section 4)
- 3) Fit the power lead and cable cover – **DO NOT OPERATE THE INCUBATOR WITHOUT THE CABLE COVER, ENSURE THE CABLE IS NOT CRUSHED OR PINCHED WHEN FITTING:-**



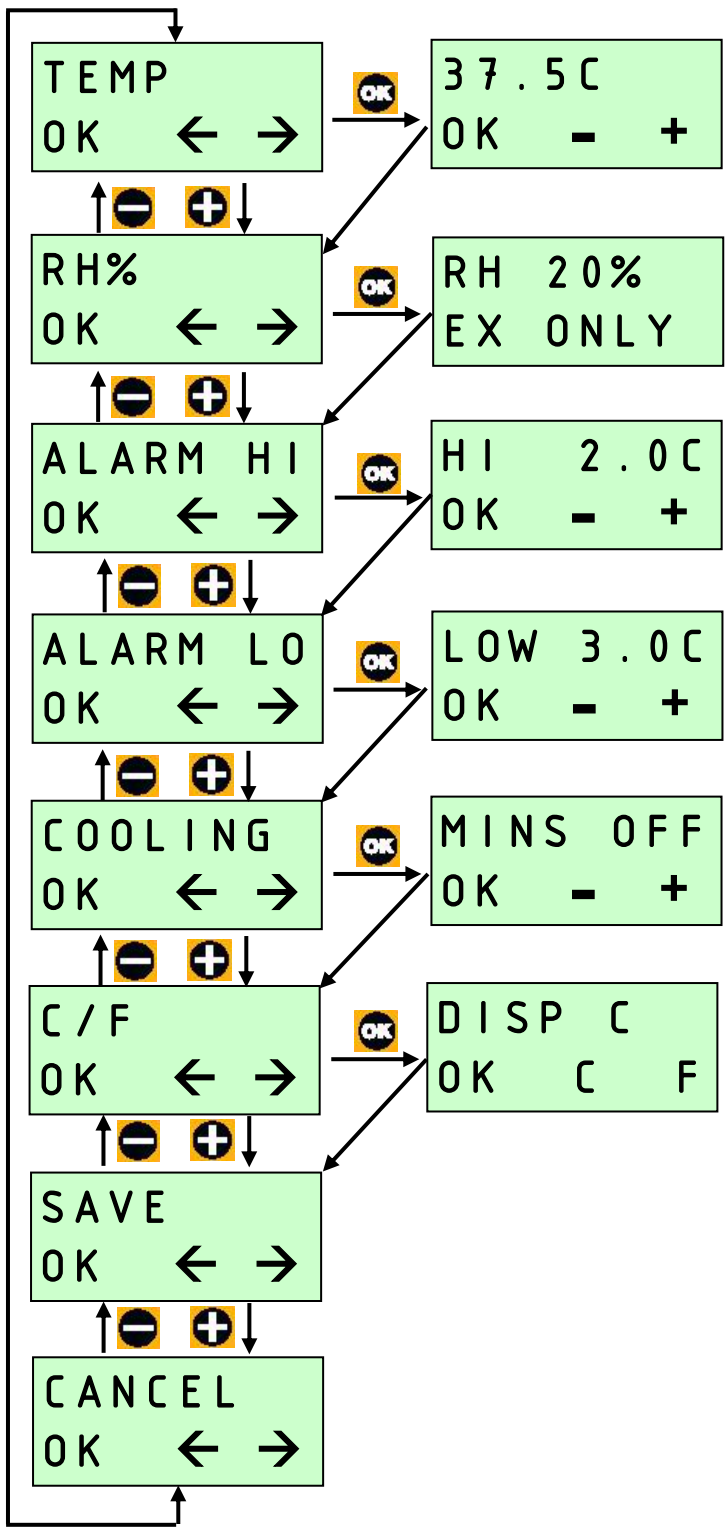
MAIN MENU – QUICK REFERENCE

PRESS BOTH BUTTONS TO UNLOCK THE MAIN MENU

SELECT THE OPTION / RETURN TO THE MENU.

GO FORWARD ONE SCREEN / INCREASE THE VALUE / DISPLAY IN CELSIUS.

GO BACK ONE SCREEN / DECREASE THE VALUE / DISPLAY IN FAHRENHEIT.



INCUBATION TEMPERATURE.
 RANGE 20.0 – 40.0°C (68.0 – 104.0°F).
 DEFAULT 37.5°C (99.5°F).

RELATIVE HUMIDITY.
 RANGE 20% – 80%.
 DEFAULT 20%.
 ONLY FOR EX VERSION WITH
 ADVANCE HUMIDITY PUMP – SEE
 SECTION 8.7.

HIGH TEMPERATURE ALARM.
 RANGE 1.0 – 5.0°C (1.8 – 9.0°F) ABOVE
 SET INCUBATION TEMPERATURE.
 DEFAULT 2.0°C (3.6°F).

LOW TEMPERATURE ALARM.
 RANGE 1.0 – 5.0°C (1.8 – 9.0°F) BELOW
 SET INCUBATION TEMPERATURE.
 DEFAULT 3.0°C (5.4°F).

PERIODIC INCUBATION COOLING.
 SWITCHES HEATER OFF FOR A
 TIMED PERIOD ONCE EVERY 24
 HOURS (SEE SECTION 11).
 RANGE 60 – 360 MINUTES.
 DEFAULT - OFF.

CELSIUS / FAHRENHEIT DISPLAY.
 SWITCHES ALL TEMPERATURE
 FIGURES BETWEEN °C AND °F.
 DEFAULT °C.

SAVE.
 ALL CHANGES ARE SAVED. RETURN
 TO NORMAL OPERATION SCREEN.

CANCEL.
 ALL CHANGES ARE IGNORED.
 RETURN TO NORMAL OPERATION
 SCREEN.

3 Unpacking

Your incubator has been supplied in protective packaging. Please remove all tape, strapping and packing from the incubator and parts. Retain the carton and packing materials to enable the unit to be repacked.

Your incubator will include as standard:

Quantity (Octagon 20 Advance)	Quantity (Octagon 40 Advance)	Item
1	1	Incubator (including removable lid)
1	2	Egg tray
1	1	Cable cover and screw
1	1	Mains cable
6	12	Wire egg dividers

Optional Autoturn Cradle:-

2	Base bars
1	Motorised cradle end
1	Plain cradle end
1	Set of four bolts

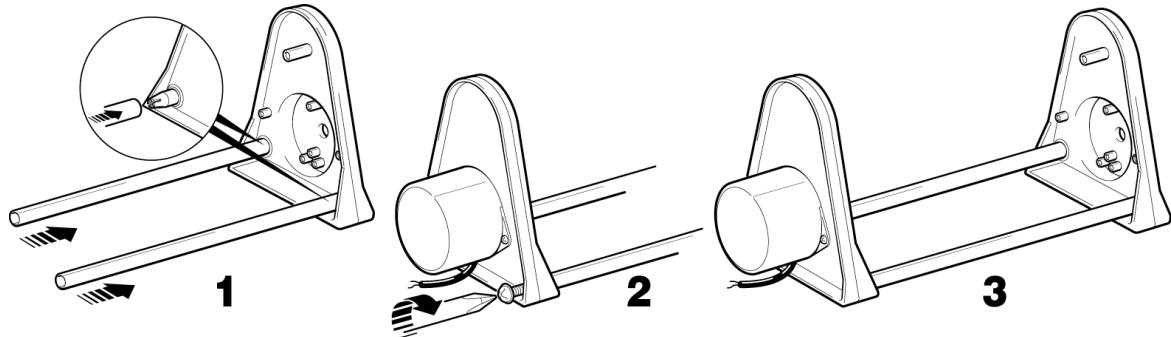
- 3.1 Please identify each part and check that they are all present and undamaged. If there are any parts damaged or missing please contact your retailer or Brinsea Products (at the address at the end of the document). **Damaged appliances shall not be used.**
- 3.2 Note that if your incubator has been ordered with additional options (such as the Advance Humidity Pump) separate instructions and component lists apply.
- 3.3 Check also that the electrical supply matches the machine's requirements (marked on the technical label on the inside of the lid of the incubator and on the inside of the blank Autoturn cradle end). The power cord set must be an appropriately rated and approved cord-set in accordance with the regulations of the country it is used in.
- 3.4 To register your new Brinsea product please visit www.brinsea.co.uk and follow the link on the right hand side of the home page to qualify for your free 2 year guarantee.
- 3.5 Go to www.Brinsea.co.uk and register as a free member of the Brinsea Email Group to receive the latest news and information such as advance notice about new products, special offers, exclusive competitions and much more.

4 Location and Installation

- 4.1 Your incubator will give best results in a room free from wide temperature variations and with generous ventilation – particularly if several incubators are running at the same time. Ensure that the room temperature cannot drop on a cold night. Ideally thermostatically control the room at between 20 and 25°C (68 and 77°F). Never allow the room temperature to drop below 15°C (59°F) and ensure that the incubator cannot be exposed to direct sunlight. Do not use your incubator on the floor.
- 4.2 Connect the mains cable to the incubator lid. Ensure the connector is pushed fully home in its socket.
- 4.3 Fit the Cable Cover and tighten the screw. **DO NOT OPERATE THE INCUBATOR WITHOUT THE CABLE COVER IN PLACE. ENSURE THE CABLE IS NOT CRUSHED OR PINCHED WHEN THE COVER IS FITTED.** The cover is designed to prevent splashes of water reaching the electrical socket and it clamps the cable to prevent the connector coming loose.

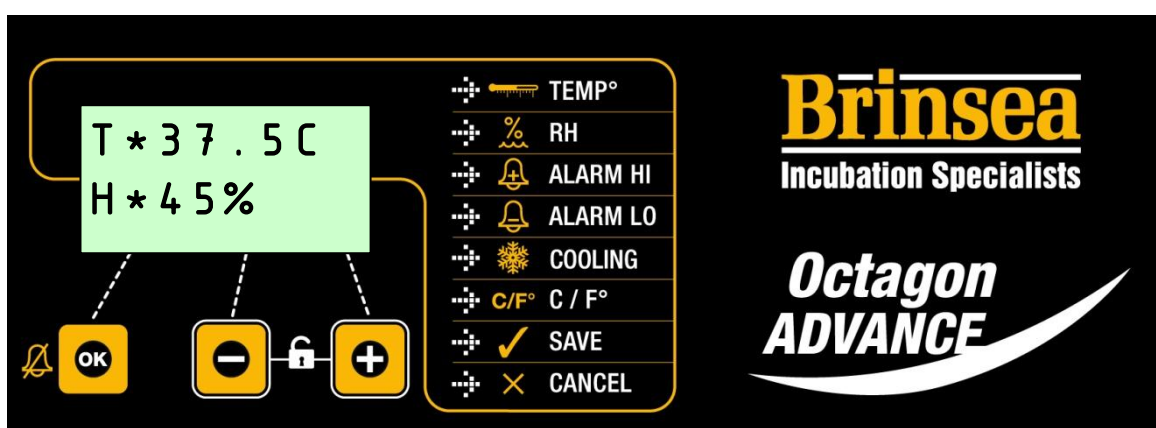
- 4.4 If using the Autoturn cradle: Assemble the Autoturn cradle in accordance with the diagram below (Fig. 2) and place on a flat, level surface (workbench height is ideal). Place the incubator into the Autoturn cradle as illustrated (Fig. 1). The cabinet is designed to locate onto the lugs at either end of the Autoturn cradle. Take care to offer the incubator at the angle which matches that of the drive lug to avoid damage to the mechanism. Ensure full engagement in the slots in the ends of the incubator so that the incubator is level end to end.

FIG. 2



- 4.5 If using without the Autoturn cradle place the incubator upright on a flat level surface.
- 4.6 Remove the lid, lift out the egg tray and fill one of the two water channels (Octagon 20 Advance) or two of the four water channels (Octagon 40 Advance) with water or 100:1 Brinsea Incubation Disinfectant Solution leaving the top of the liquid 3/4" (20mm) from the top of the channel. Replace the tray and replace the lid. Slide the ventilation control to the centre of its range.
- 4.7 Plug incubator and cradle mains supply cables into suitable outlets ensuring that the cables are not pulled tight. The incubator fan will start, the buzzer sound and the LCD display on the temperature control housing will display the air temperature and humidity. The cradle motor will start and the incubator will begin to turn. The turning is very slow – taking about half an hour to turn each way.
- 4.8 Allow the incubator to run for at least an hour to stabilise the temperature before making adjustments or setting eggs.

5 Digital Control System



The Octagon Advance control system utilises highly accurate, individually calibrated sensors for temperature and humidity. Be cautious of low cost analogue or digital thermometers and hygrometers when comparing them with the incubator display readings.

5.1 NORMAL OPERATION – Temperature and relative humidity are continuously displayed.

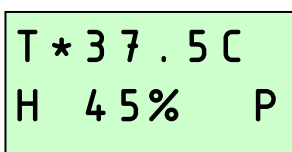
The asterisk “*” adjacent to the temperature reading shows when the heater power is on. When warming the asterisk will be continuously on, once warmed up the asterisk will slowly flash as the heater is pulsed to maintain the correct temperature.

When reducing the temperature setting the asterisk may go off, this is normal. During periodic incubation cooling (see section 11) the asterisk will be replaced by an arrow: “↓”.

The asterisk “*” adjacent to the relative humidity display is only on when the pump control output is on (see section 8) and is only applicable when using the optional Brinsea Advance Humidity Management Module.

5.2 POWER LOSS DISPLAY – If power has been interrupted due to a power cut (or when first switching on) a “P” is shown flashing in the corner of the display. Press OK for 2 or more seconds to clear the indicator. If the reason for the power loss is not known check the power cable connections are secure.

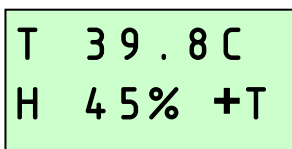
Once the “P” indicator has been cleared, it is advisable to candle eggs a number of times to check for losses.



T * 37.5 C
H 45% P

5.3 HIGH TEMPERATURE ALARM DISPLAY – If the measured temperature goes up by more than the figure in the ALARM HI screen, the alarm will sound immediately and “+T” will be displayed. Press OK to silence the alarm for 30 minutes.

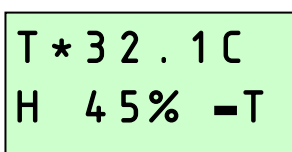
If the high temperature problem rectifies itself the “+T” remains on the display to show this has happened. Press OK to clear the indicator. Check the incubator is not (and has not been) in direct sunlight or too near a heat source such as a room heater. It is advisable to candle eggs a number of times after this event to check for losses.



T 39.8 C
H 45% +T

5.4 LOW TEMPERATURE ALARM DISPLAY – If the measured temperature goes down by more than the figure in the ALARM LO screen, after 60 minutes “-T” will be displayed and the alarm will sound. Press OK to silence the alarm for 30 minutes.

If the low temperature problem rectifies itself the “-T” remains on the display to show this has happened. Press OK to clear the indicator. Check the incubator is not (and has not been) in a cold draught or that the room temperature has dropped significantly. It is advisable to candle eggs a number of times after this event to check for losses.



T * 32.1 C
H 45% -T

- 5.5 **CHANGING SETTINGS** – The Main Menu allows the various settings to be modified and saved. All changes are retained in the event of a power cut.

To access the Main Menu press the + and – buttons simultaneously to unlock the display. For full details of menu settings please refer to the guide on page 3.

6 Storage of Eggs

- 6.1 Store eggs in cool, damp conditions. Most species may be safely stored for up to 14 days before serious reductions in hatch rates are likely. Daily turning of stored eggs also helps maintain hatchability.
- 6.2 Discard cracked, mis-shaped and heavily soiled eggs (if possible). Only wash soiled eggs using a brand egg wash solution such as Brinsea Incubation Disinfectant Concentrate following the manufacturer’s instructions. It is essential to wash eggs in solution which is significantly warmer than the egg. Bear in mind that all solutions will remove the outer cuticle from the egg as well as the dirt and may leave the egg at greater risk from bacterial contamination in the future.

7 Temperature

Stable and correct temperature is essential for good results. Adjust with care.

- 7.1 Note: your incubator may not be set to the correct temperature from the factory and the following procedure must be followed before setting eggs.
- 7.2 As the incubator warms up and approaches its control setting the heater on asterisk “*” will change from continuously on to flashing. Allow the incubator to stabilise for at least an hour before adjusting the temperature.
- 7.3 Press the - and + buttons simultaneously to unlock the main menu. Press OK to select the temperature screen and adjust as necessary using the + and – buttons. Press OK to return to the Main Menu and then scroll down to Save. Press OK to save the changes. When reducing temperature the asterisk may go out while the incubator cools – this is normal.
- 7.4 Refer to the digital temperature display to check temperature. The display shows the air temperature in increments of 0.1°. Adjust temperature with care – small differences have large effects on hatching performance.
- 7.5 The Display can be switched to show all temperature settings in degrees Fahrenheit. Press the - and + buttons simultaneously to unlock the main menu. Scroll to the C/F option and press OK to select the C/F display screen. Press the + button to select °F or the – button to select °C. Press OK to return to the Main Menu and then scroll down to Save. Press OK to save the changes.

7.6	Recommended temperatures:		Typical incubation period:	
	Hens	37.4 – 37.6°C	99.3 – 99.6°F	21 days
	Pheasant	37.6 – 37.8°C	99.6 - 100°F	23-27 days
	Quail	37.6 – 37.8°C	99.6 - 100°F	16-23 days
	Ducks	37.4 – 37.6°C	99.3 – 99.6°F	28 days
	Geese	37.4 – 37.6°C	99.3 – 99.6°F	28-32 days
	Parrots:			
	Amazons	36.8 – 37.0°C	98.3 – 98.6°F	24-29 days
	Macaws	36.8 – 37.0°C	98.3 – 98.6°F	26-28 days
	Love birds	36.8 – 37.0°C	98.3 – 98.6°F	22-24 days
	African Grey	36.8 – 37.0°C	98.3 – 98.6°F	28 days
	Eclectus	36.8 – 37.0°C	98.3 – 98.6°F	28 days

- 7.7 Developing embryos are fairly tolerant of short term temperature drops and the user need not be concerned about cooling that occurs when inspecting eggs. Temperatures above ideal can quickly have a serious detrimental effect on hatch rates and must be avoided.
- 7.8 The Octagon 20 Advance and Octagon 40 Advance have a built-in temperature alarm which warns of high or low temperatures. See section 5 for details.

8 Humidity and Ventilation

Short term variations in humidity are not important. The average humidity over the incubation period needs to be near optimum to achieve the ideal weight loss. High humidity for the day or two of hatching is also important. Beware chronic, excessive humidity.

- 8.1 Two factors affect incubation humidity: water evaporation within the cabinet (from eggs as well as from additional water) and levels of ventilation. The water content of the air being drawn through the incubator will also have an effect.
- 8.2 There are two methods available to bird breeders to achieve correct humidity levels in Octagon Advance incubators:

A) Monitor humidity levels and adjust to match published guidelines for different species.

Generally accepted incubation RH levels for species groups:

During incubation	Poultry	40-50% RH
	Waterfowl	45-55% RH
	Parrots	35-45% RH
Hatching	All species	65% RH or more

For more specific information on particular species' requirements check the relevant literature.

B) Monitor egg weight loss which varies as a direct result of humidity and correct against published weight loss figures for the species.

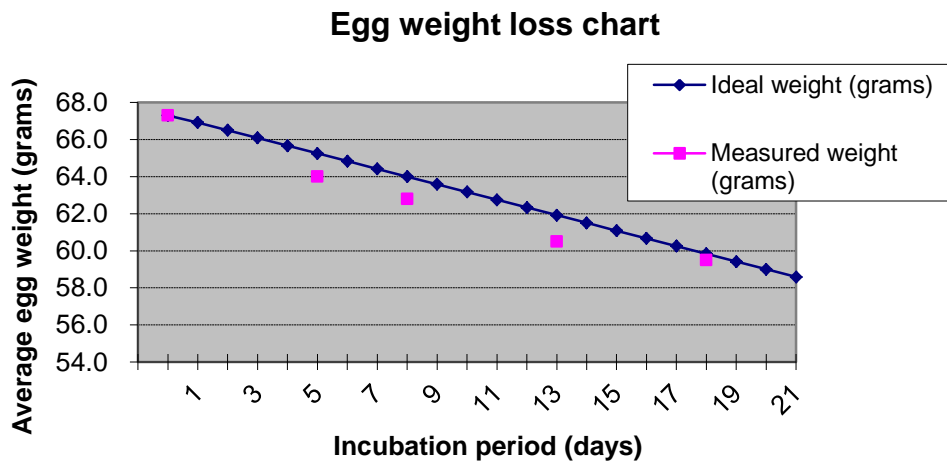
Eggs lose moisture through their shells and the rate of evaporation depends on the humidity levels around the eggs and the shell porosity. During incubation eggs need to lose a fixed amount of water which corresponds to a loss in weight of around 13-16% depending on species. By weighing eggs periodically during incubation it is possible to monitor and, if necessary, correct humidity levels to achieve the correct weight loss.

Weigh the eggs on the day they are set in the incubator, take the average weight and plot this on a graph (see example below). The ideal weight loss line can be plotted by joining the point representing initial average weight with the ideal hatch weight (13-16% less depending on species) with the x-axis representing the incubation period (in days).

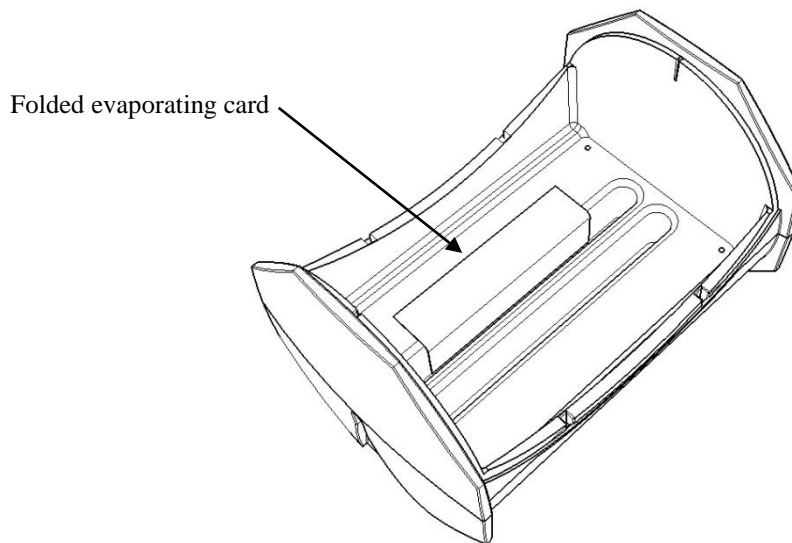
By measuring actual average weights every few days the actual weight loss can be plotted and compared to the ideal weight loss line and corrections can be made. For example if the actual weight loss was greater than ideal (see graph below) then the air has been too dry and humidity levels need to be increased to compensate.

Typical ideal weight losses for species groups:

Poultry	13%
Parrots	16%
Waterfowl	14%



- 8.3 Of the two methods given above the most reliable is egg weight method and is recommended – particularly where poor hatch rates are experienced or if eggs of high value are being incubated.
- 8.4 Alter the setting of the ventilation control (reduce ventilation to increase humidity) and have water in neither, one, two or more of the water channels to change the humidity level. Humidity levels may be further increased by placing strips of evaporating card or cloth into one or more of the water channels. Evaporating card is available from Brinsea Products.



- 8.5 In all cases the humidity for hatching needs to be high. Because of the short duration involved water/weight loss will not be significantly affected. High humidity is necessary to prevent membranes drying and hardening before the hatch fully emerges. Humidity will naturally increase as the first eggs begin to hatch and internal membranes begin to dry. This effect is in addition to the increased area of water evaporation from the water channels.
- 8.6 During hatching the high humidity levels will fall dramatically when the lid is opened and will take some time to build up. Resist the temptation to lift the lid frequently – leave for at least 6 hours between inspections.
- 8.7 The **Brinsea Advance Humidity Pump** is available as an option on the Octagon 20 Advance and Octagon 40 Advance incubators. The incubator digital control system not only reads the humidity in the incubator but it provides a control signal to operate the water pump and accurately maintain the humidity level at the desired level.

9 Egg Setting

- 9.1 The Octagon 20 Advance and Octagon 40 Advance incubators are designed to be as flexible as possible, accommodating eggs of different sizes up to (and including) goose eggs and in different orientations. Some experimentation may be necessary to maximise capacity.
- 9.2 Before setting eggs ensure that the incubator has been run for several hours and has stabilised at the correct temperature.
- 9.3 Set the eggs in rows between the wire loop dividers. The dividers must be positioned such that the eggs rest on the tray bottom and are not pressured by the bar. The dividers prevent the eggs rolling. Eggs may be set on end (or at an angle) provided the large end of the egg is upwards. Eggs rolling through a few degrees between the dividers as the incubator turns are not in danger.
- 9.4 Once the eggs have been set the temperature must not be adjusted for 24 hours to allow the eggs to warm. Check the water level every 3 days or so and temperature daily. Candle the eggs after 1/3rd of the incubation period has elapsed to reject clear, infertile eggs (see section 12).

10 Egg Turning

Warning: NEVER MANUALLY TURN THE INCUBATOR WHILE IT IS ON THE CRADLE, this will damage the turning mechanism and invalidate the guarantee.

- 10.1 The Autoturn cradle will continuously turn the incubator and eggs on an hourly cycle (through 90° and back) while plugged into the mains supply. Some small intermittent movement due to play in the gears is normal and does not cause harm. Lubrication of the plastic linkage with WD40 helps to ensure smooth, silent movement.
- 10.2 Ensure that nothing can impede the movement of the incubator on the cradle (such as a mains cable or having the incubator too close to a wall).
- 10.3 Altricial species such as parrots or birds of prey may benefit from additional manual turning through a full 180° once or twice a day.

11 Periodic Incubation Cooling

Bird breeders have known for many decades that eggs can be cooled for limited periods of time during incubation without causing problems but recent research has shown that hatch rates can increase significantly as a result of cooling. This research was carried out with poultry but it is generally accepted that the benefits can apply to waterfowl too. Cooling is an entirely natural process as most birds will get off the nest at least once a day and leave the eggs unheated for a significant time. From Brinsea's 35 year experience, the best hatch rates are always achieved when the incubator can best mimic the natural nest conditions.

The precise details of which days and what cooling period each day should be used for best effect are not known but Brinsea have assessed the available research and recommend the following daily cooling periods from day 7 through to 2 days before they are due to hatch (the same point that automatic turning would normally be stopped).

Smaller poultry, waterfowl and game bird eggs:	2 hours each day
Larger species eggs (e.g. duck and goose):	3 hours each day

Cooling is not recommended for parrots and birds of prey because the results of cooling haven't yet been established. For further details please visit the Brinsea website at www.Brinsea.co.uk/cooling

- 11.1 The periodic cooling feature turns the incubator's heater and low temperature alarm off for a selectable period but keeps the fan running. After the cooling period is complete the incubator reverts to normal temperature and the alarm is automatically reset.
- 11.2 **SETTING THE COOLING PERIOD.** The cooling function is optional and may be adjusted.
 - Press the - and + buttons simultaneously to unlock the Main Menu.
 - Press + to scroll to the cooling option.
 - Press OK to select the cooling screen.
 - Use the + and – buttons to select OFF, 60, 120, 180, 240, 300 or 360 minutes cooling.
 - Press OK to accept the figure and then scroll to SAVE and press OK to save the changes.
- 11.3 Each cooling period starts at the same time each day (24 hours between start times). The first cooling period will start after the incubator has been switched on for 24 hours. If there is a power interruption the 24 hour delay starts again.
- 11.4 During the cooling period the heater asterisk goes off and an arrow “↓” is displayed. When the cooling period ends the asterisk is shown and the incubator warms to incubation temperature. The time taken to return to incubation temperature depends on the room temperature and may take 30 or more minutes.

12 Hatching

- 12.1 If hatching in the Octagon 20 Advance or Octagon 40 Advance unplug the Autoturn cradle, remove the incubator from the cradle, place on the work surface in the upright position and remove the egg dividers two days before the hatch is due.
- 12.2 For maximum setting capacity, cleanliness, flexibility and performance a separate hatcher may be used. A second Brinsea Octagon 20/40 incubator is recommended. Contact your dealer for details.
- 12.3 Eggs nearing hatch are slightly less sensitive to temperature variation and the hatching temperature can be reduced by up to 1°C (2°F) but this is not essential.
- 12.4 Hatching humidity levels need to be high (see section 8 above) but note that the ventilation control must be at least 1/3rd open during hatching.
- 12.5 When most eggs have hatched (12 to 48 hours) remove the hatchlings to a brooder. The Brinsea EcoGlow is ideal for poultry and waterfowl etc. The Brinsea TLC-40 or TLC-50 Brooder is recommended for exotics.
- 12.6 During hatching the high humidity levels will fall dramatically when the lid is lifted and will take some time to build up. Resist the temptation to open the incubator frequently – leave for at least 6 hours between inspections.

13 Cleaning Up

IMPORTANT:

DISCONNECT THE INCUBATOR AND BASE FROM THE MAINS POWER SUPPLY DURING CLEANING. RISK OF ELECTRIC SHOCK!

ENSURE THAT ALL ELECTRICAL PARTS ARE KEPT DRY. DO NOT IMMERSER THE YELLOW BASE.

- 13.1 NEVER WASH THE TRAYS, COVERS OR CABINET PARTS IN LIQUIDS OVER 50°C (120°F). DO NOT USE A DISHWASHER TO CLEAN TRAYS, INCUBATOR BASE OR LID. Following each hatch in the Octagon 20/40 Advance remove and wash the egg trays and dividers in Brinsea Incubation Disinfectant Solution. Wipe all other internal surfaces with a soft cloth soaked in the solution. Do not immerse the hollow yellow base as fluid may become trapped inside. Ensure that the instructions supplied with the fluid are followed.
- 13.2 Periodically unscrew the screws retaining the fan cover, remove the cover and soak. Dust and fluff may be removed from the fan(s) and heater cord with a soft brush. USE NO LIQUIDS.

THE INCUBATOR MUST NOT BE USED WITHOUT THE FAN COVER FITTED. RISK OF ELECTRIC SHOCK!

WARM AIR DISTRIBUTION WILL BE ADVERSELY AFFECTED IF THE FAN COVER IS NOT IN PLACE.

- 13.3 If a separate hatcher is used the procedure above should still be followed every two months.
- 13.4 The exterior of the incubator and Autoturn cradle may be cleaned with a damp cloth. Avoid allowing any moisture to get inside mechanical housings.
- 13.5 Always clean the incubator before storage and ensure that the unit is totally dry inside and out.

14 Servicing and Calibration

IMPORTANT: THE HEATER CORD AND CONNECTIONS ARE AT MAINS VOLTAGE. NEVER OPERATE THE INCUBATOR WITH THE FAN COVER REMOVED. RISK OF ELECTRIC SHOCK!

- 14.1 In case of failure first check that the mains power supply is working and that the mains cable connector is fully engaged in the socket beneath the cable cover. The digital control system may be reset to the original factory defaults by connecting the power supply while holding the OK button. Check temperature calibration after resetting to defaults.

If the problem persists contact your distributor or Brinsea Products Service Dept.








- 14.2 The digital temperature and humidity display is individually calibrated during manufacture but may be re-calibrated if required. To ensure optimal performance return the incubator to Brinsea Products Service dept. for re-calibration every two years. It is not recommended that this procedure is carried out by the user.

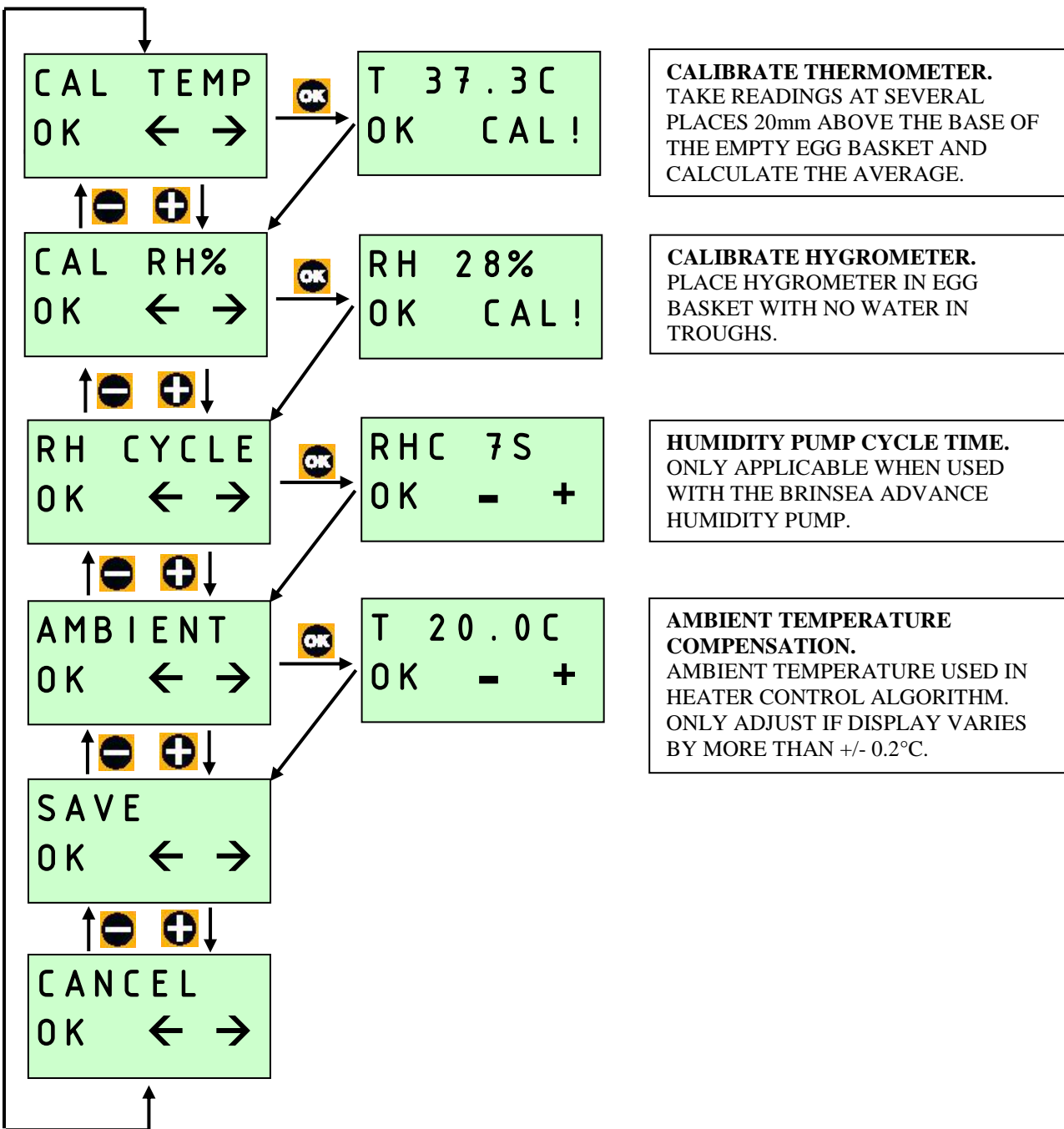
BE CAUTIOUS OF LOW COST ANALOGUE OR DIGITAL THERMOMETERS AND HYGROMETERS.

BRINSEA PRODUCTS LTD USES SOPHISTICATED EQUIPMENT TRACEABLE TO INTERNATIONAL REFERENCE STANDARDS.

To access the Calibration Menu press all three buttons simultaneously to unlock the display.

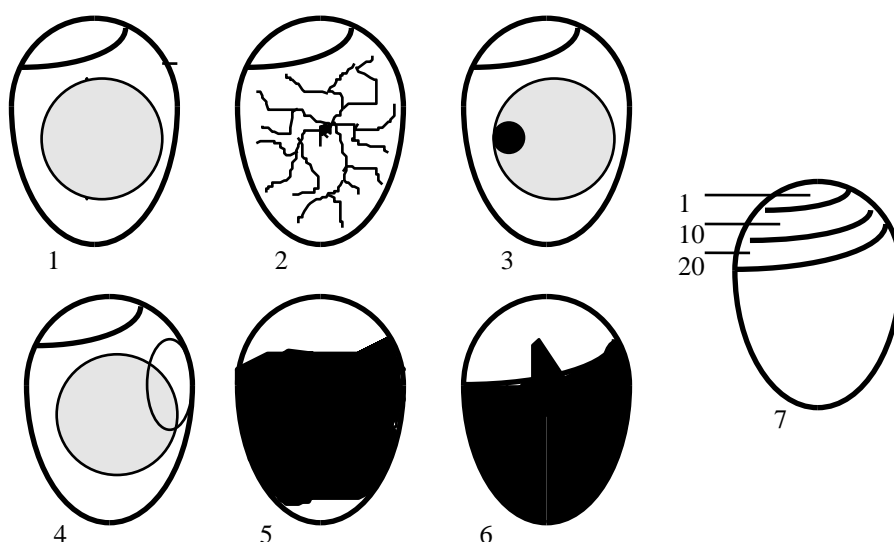
CALIBRATION MENU

				PRESS ALL 3 BUTTONS TO UNLOCK THE CALIBRATION MENU
	SELECT THE OPTION / RETURN TO THE MENU.			
	GO FORWARD ONE SCREEN / INCREASE THE VALUE.			
	GO BACK ONE SCREEN / DECREASE THE VALUE.			



15 Troubleshooting

- 15.1 Poor hatching results are frustrating and can be caused by a large number of factors. The most common are given below. Brinsea Products will not be held responsible for loss of eggs or chicks under any circumstances. However we will try to advise on incubation technique to improve results where necessary.
- 15.2 Gather as much information from the hatching results as possible to enable the problem to be analysed in detail. Record dates that eggs are set, incubator settings, dates of hatches, weight losses and the number and condition of hatchlings. Candle or break open unhatched eggs to estimate the extent of embryo development. The Brinsea OvaView or High Intensity OvaView candling lamps are available from your dealer.



- 1) Clear when candled - probably infertile (or very early death) when candled at 8 days
- 2) Fertile with red blood vessels - after 8 days
- 3) Red or black staining - early death when candled at 8 days
- 4) Embryo with red blood 'ring' - early death when candled at 8 days
- 5) Dark outline with ill-defined detail - late death (10-16 days)
- 6) Live embryo with bill in air sack - due to hatch in 24-48 hours
- 7) Normal development of the air pocket according to number of days

General guides:

Observation	Likely Cause(s)	Solution(s)
No chicks hatch	Infertility, infection, drastically incorrect incubation settings, parent ill health.	Check egg viability – are similar eggs hatching naturally. Disinfect the incubator. Check incubator settings and procedures – particularly temperature.
Chicks hatch earlier than expected, deformities.	Incubation temperature too high	Reduce incubation temperature slightly 0.5°C (1°F)
Chicks hatch later than expected	Incubation temperature too low	Raise incubation temperature slightly 0.5°C (1°F)
Hatch dates widely spread	Different rates of development due to different storage times, incubation temperature variation.	Limit egg storage times. Check for incubation temperature variation – sunlight, large room variation etc.
Late stage 'death in shell'	Incorrect humidity, probably too high.	Try reducing average humidity levels (but see section 8 above)
Generally poor results	Incorrect incubation settings, poor parent bird health, inadequate egg turning,	Improve parent bird health, check all incubation settings, analyse egg weight loss to confirm humidity correct, check turning working correctly.

16 Specification

Maximum Setting Capacities:

	Octagon 20 Advance	Octagon 40 Advance
Egg size	Typical capacity	Typical capacity
Quail	60	120
Pheasant	40	80
Amazon/Macaw	36	72
Hen	24	48
Duck	20	40
Goose	9-12	18-24

Dimensions:

Incubator only	35cm x 26cm x 26cm high	65cm x 26cm x 26cm high
Including Autoturn Cradle	43cm x 26cm x 30cm high	73cm x 26cm x 30cm high

Weight:

Incubator only	2.70 Kg	4.20 Kg
Including Autoturn Cradle	3.25 Kg	4.80 Kg

Power Consumption:

Maximum	45 Watts	90 Watts
(typical average)	25 Watts	40 Watts
Autoturn cradle	4 Watts	4 Watts

Electrical Supply:	230v 50Hz	230v 50Hz
--------------------	-----------	-----------

Declaration of Conformity

We: BRINSEA PRODUCTS LTD.
Station Road
Sandford
North Somerset
BS25 5RA

Declare under our sole responsibility the products:

Egg Incubators:

Octagon 20 Advance (Serial numbers AD212x/xxxxxxxxx, AD232x/xxxxxxxxx)

Octagon 40 Advance (Serial numbers AD42x/xxxxxxxxx, AD43x/xxxxxxxxx)

to which this declaration relates are in conformity with the following EU Directives:

2006/42/EC Machinery Directive

2004/108/EC Electromagnetic Compatibility Directive

The relevant sections of the following Standards have been used:

EN 60335-1:2002+A14:2010

EN 60335-2-71:2003+A1:2007

EN 55014-1:2006+A2:2011

EN 55014-2:1997+A2:2008

The technical documentation for the products is available from the above address.

Authorised Representative: Ian Pearce, Managing Director

Signature:

Date of Issue: 20/02/2012

Place of Issue: Station Road, Sandford, North Somerset, BS25 5RA, United Kingdom.