

## Location and Use

Place the EcoGlow chick brooder where it is not likely to be trodden on by people or large animals. Avoid draughts. Room temperature should not drop below 10 degrees at night.

Always allow enough space around one side of the chick brooder to allow free movement of chicks. They will find their own comfortable temperature by moving under (or on top of) the brooder as they require. In a colder location close off one side against the side of the brooding box or pen.

A set of inter-locking, plastic Chick Enclosure Panels available from Brinsea Products may be used to form a pen.

Connect the lead on the brooder to the lead on the power supply unit. Connect the power supply unit in a convenient electrical outlet, out of the reach of animals. The red power indicator on top of the panel will gently glow and the metal plate under the brooder will get warm.

Chicks should stay in the incubator for a minimum 24 hours to recover from hatching and to dry off, they do not require food or water. If a chick fails to thrive return it to the incubator for longer. Closely monitor new chicks for the first few days when they are most vulnerable.

## Maintenance

**Disconnect the mains supply before carrying out any maintenance or moving the brooder. Do not immerse the panel in water or place any part in liquids over 50°C. Do not use a dishwasher.**

After use clean thoroughly with Brinsea Incubation Disinfectant solution.

In the event of a problem, please contact your supplier or Brinsea Products Service Dept. The product does not contain any user serviceable parts.

## Dimensions

Length 320, Width 207mm, Height 210mm. Weight 750g.

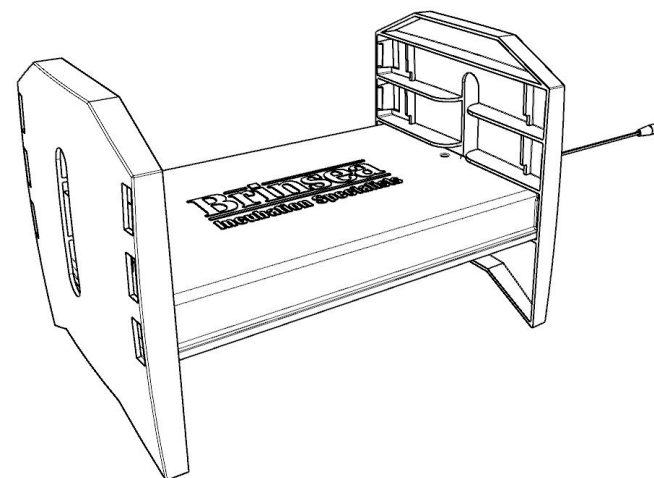
Power consumption: 20 Watts with power supply unit as enclosed.

Brinsea Products Ltd, 32-33 Buckingham Road, Weston Industrial Estate,  
Weston-super-Mare, N. Somerset, BS25 5RA  
Tel: 0845 226 0120 Fax: (01934) 708177  
e-mail: [sales@brinsea.co.uk](mailto:sales@brinsea.co.uk), website: [www.Brinsea.co.uk](http://www.Brinsea.co.uk)

# **Brinsea**

## **EcoGlow20** **CHICK BROODER**

### **User Instructions**



## Introduction

The EcoGlow chick brooder is ideal for rearing up to 20 chicks, ducklings or most other species of fowl or game. The low voltage heater panel warms chicks directly and is more economical and safer than infra-red lamps.

To register your new Brinsea product please visit [www.brinsea.co.uk](http://www.brinsea.co.uk) and follow the link on the right hand side of the home page to qualify for your free 3 year guarantee.

Go to [www.Brinsea.co.uk](http://www.Brinsea.co.uk) and register as a free member of the Brinsea Email Group to receive the latest news and information such as advance notice about new products, special offers, exclusive competitions and much more.

## **WARNING!**

**To provide continued electrical safety only use the power supply unit supplied for the EcoGlow chick brooder by Brinsea Products Ltd.**



**Do not cover the brooder panel in any way. This may cause it to overheat.**

**Only use as intended with the end caps fitted.**

**For indoor use only.**

## Assembly

The brooder panel end caps allow use at three different heights. Chicks prefer the brooder panel to be set low down at first so they can snuggle underneath as they would in the nest. The smallest chicks (e.g. quail or small bantams) might prefer a "nest" of litter to lift them slightly above the floor.

The majority of chicks will be content to continue to use the brooder panel on its lowest setting but very large chicks (e.g. goslings) may require the higher settings on the end caps.

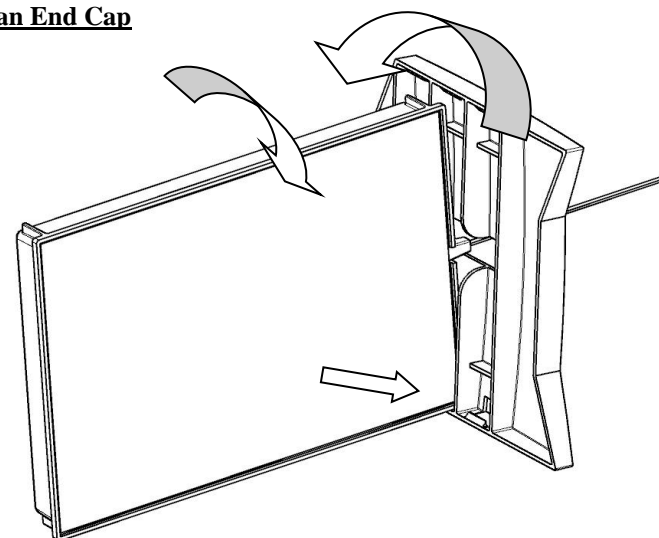
Fit the end caps while holding the panel sideways on a firm surface.

Slide the corner of the panel into the desired slot in the end cap. Hold the panel down and push the top edge of the end cap onto the retaining lug so that it clicks into place.

To remove an end cap place the panel on its side and gently lever the side of the end cap out as shown with a large, flat screw driver. The end cap will easily be released, do not apply excessive force on the screw driver.

**Do not remove the end panels by force, they must be released correctly with a tool to prevent damage to the clips. This is a safety feature.**

## Fitting an End Cap



## Removing an End Cap

